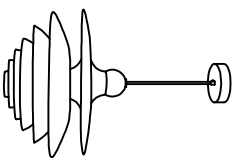


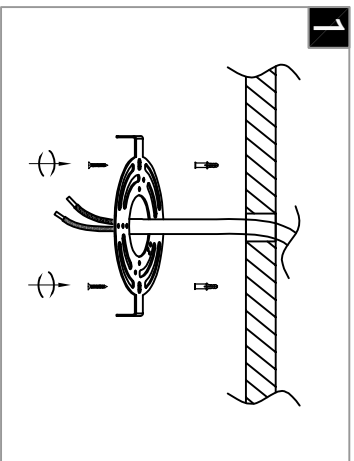
**Warning:**

This product must be installed by personnel who are familiar with its structure and related hazards, in accordance with the installation specifications. This product is suitable for indoor installation.

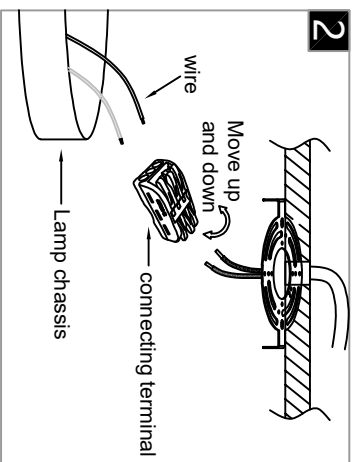


Product style diagram

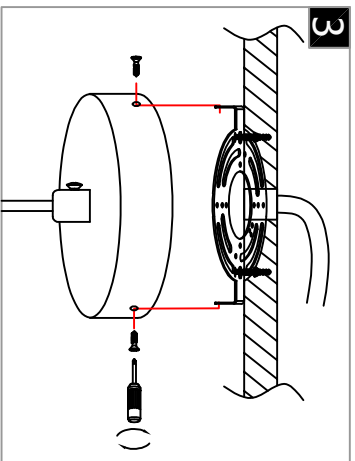
**Steps of installation**



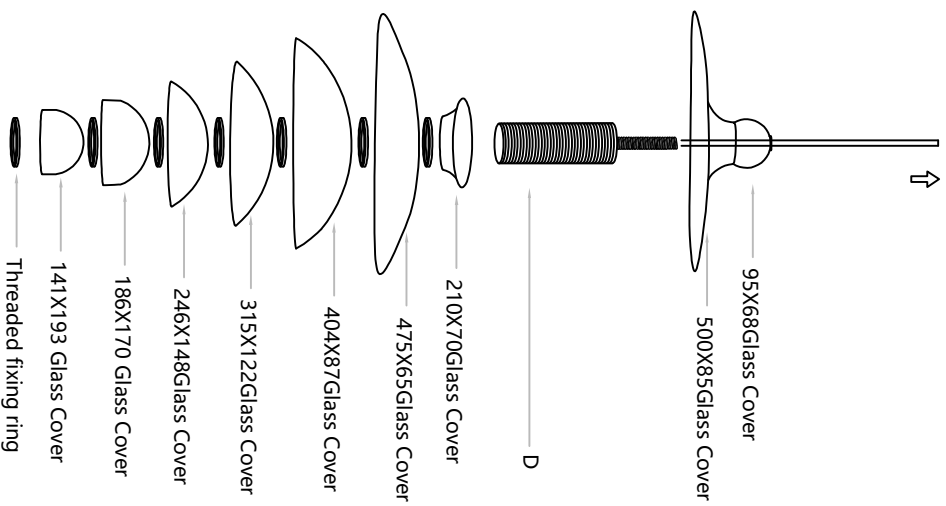
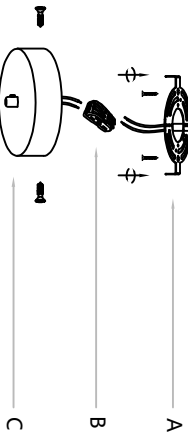
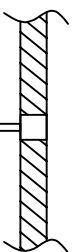
Install the T-shaped bracket onto the main body of the lamp, and then secure it with screws.



Connect the wires inside the luminaire and ceiling to the terminal, usually neutral wire (white), hot wire (black)



Align the two holes on the top cover of the lamp with the holes on the installation plate on the ceiling, and then secure them with screws.



Pass the threaded rod lamp head wire (E) through the glass cover of this model and install it onto the top cover (C). Then, tighten the lock wire (B) screw on the top cover (C) to fix the connecting rod onto the lamp head (E), and fix the installation plate (A) onto the ceiling. Next, connect the wires reserved in the top cover (C) to the wires on the ceiling, and then connect them to the junction box (B). Afterwards, align the holes on the top cover (C) with the holes on the installation plate (A), and tighten the screws. Finally, install it onto the threaded rod lamp head (D) according to the glass model.