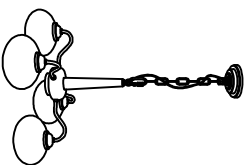
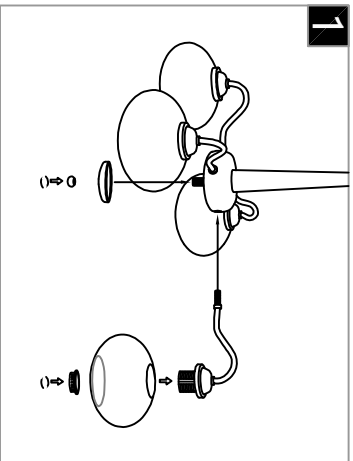


**Warning:**  
 This product must be installed by personnel who are familiar with its structure and related hazards, in accordance with the installation specifications. This product is suitable for indoor installation.

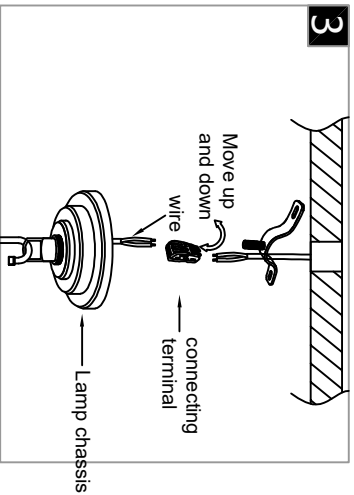


Product style diagram

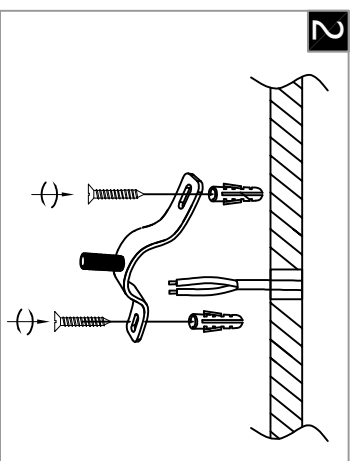
## Steps of installation



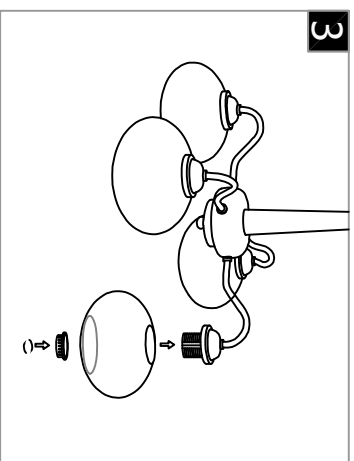
First, install the lamp head rod onto the lamp body and connect the wires. Then, cover the bottom cover and tighten the nut.



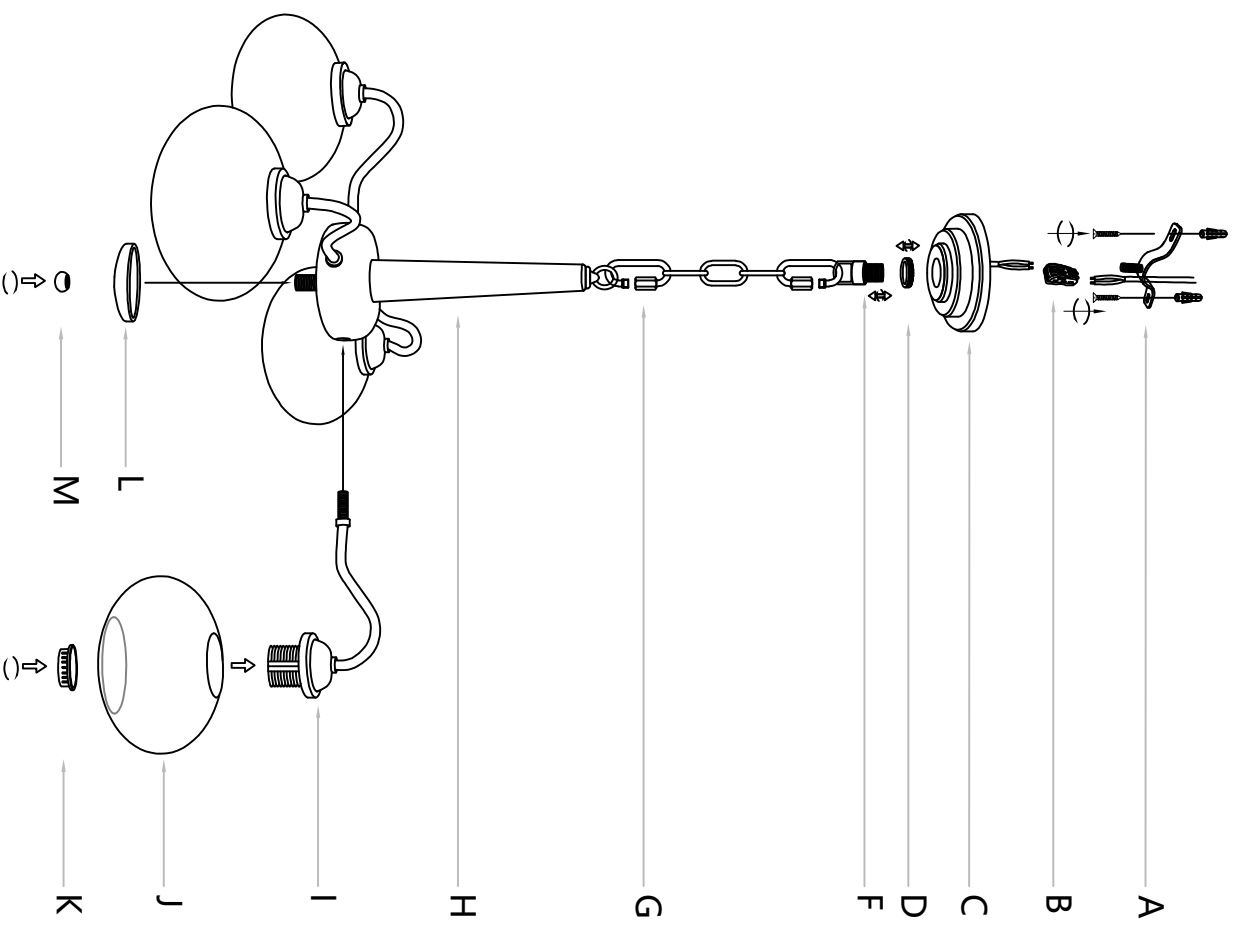
Then, use the terminal block to connect the wires of the top cover to the wires of the ceiling.



Then, fix the plate to the ceiling.



Finally, install the glass lampshade onto the lamp head rod, lock the nut, and install the bulb.



First, install the lamp head rod (I) onto the lamp body (H) and connect the wires. Then, cover the bottom cover (L) and tighten the nut (M). Next, use the movable lock (G) to connect the chain and the lamp body (H). Then, fix the plate (A) to the ceiling. Then, use the terminal block (B) to connect the wires of the top cover (C) to the wires of the ceiling. After that, cover the installation plate (A) with the top cover (C), tighten the connecting nut (F), and lock the nut (D). Finally, install the glass lampshade (J) onto the lamp head rod (I), lock the nut (K), and install the bulb.