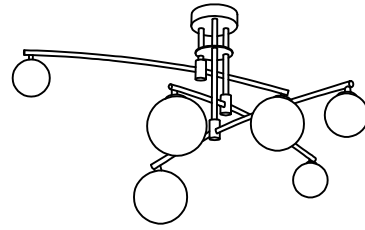
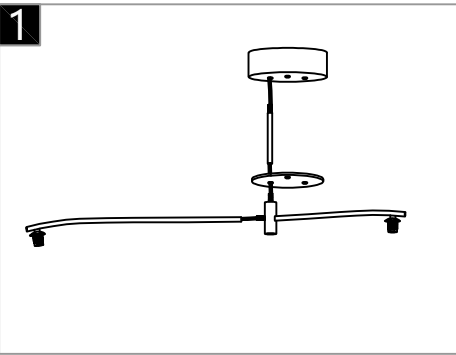


Warning:
This product must be installed by personnel who are familiar with its structure and related hazards, in accordance with the installation specifications. This product is suitable for indoor installation.

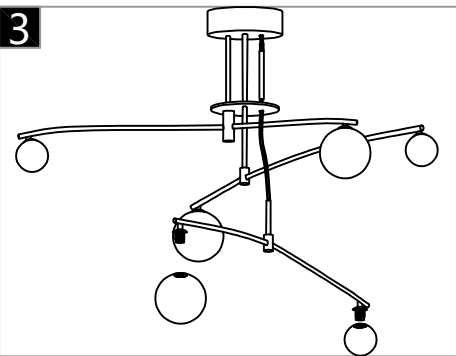


Product style diagram

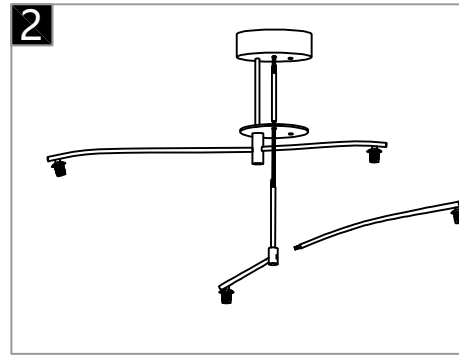
Steps of installation



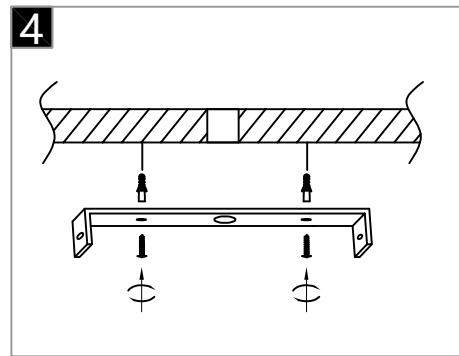
Pass the wires on the lamp arm bracket through the reserved slots of the connecting rod and onto the lamp cover. Then assemble the lamp arm bracket together and fix it onto the cover of the connecting rod.



Pass the wires on the lamp arm bracket through the reserved slots of the connecting rod and onto the lamp cover. Then assemble the lamp arm bracket together, and fix it onto the cover of the connecting rod. Next, install the light source, and then install the glass cover.

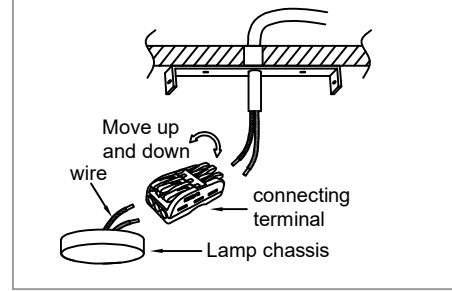


Pass the wires on the lamp arm bracket through the reserved slots of the connecting rod and onto the lamp cover. Then assemble the lamp arm bracket together and fix it onto the cover of the connecting rod.



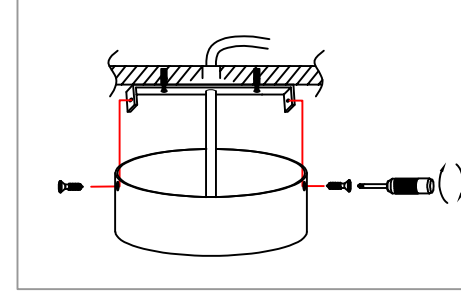
Attach the mounting plate to the ceiling with self-tapping screws.

5

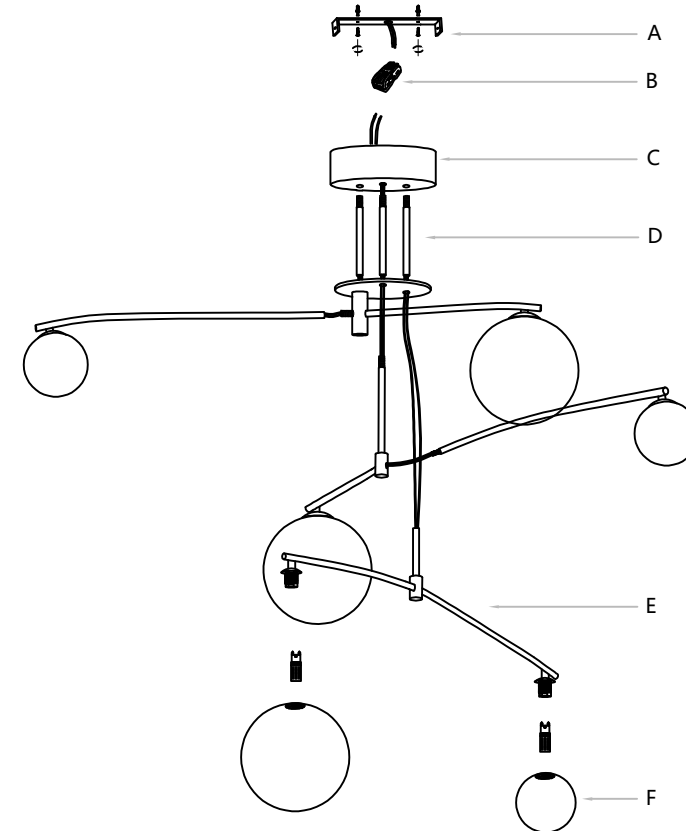


Connect the wires inside the luminaire and ceiling to the terminal, usually neutral wire (white), hot wire (black)

6



Align the holes on the top cover with the holes on the mounting plate, and then secure them with screws.



Reserve the wire from the lamp arm bracket (E) through the connecting rod (D) to the lamp cover, then splice the lamp arm bracket (E) together and then fix it to the connecting rod cover, then install the light source to the lamp head, and then install the glass cover (F), Fix the mounting plate (A) to the ceiling. Next, connect the wires reserved for the top cover (C) to the wires on the ceiling, and then connect them to the terminal block (B). Then, align the holes on the top cover (C) with the holes on the mounting plate (A), and tighten the screws.