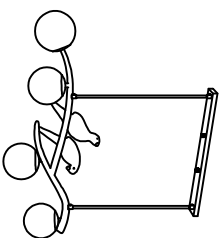


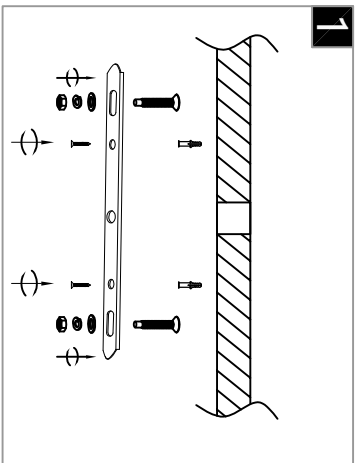
Warning:

This product must be installed by personnel who are familiar with its structure and related hazards, in accordance with the installation specifications. This product is suitable for indoor installation.

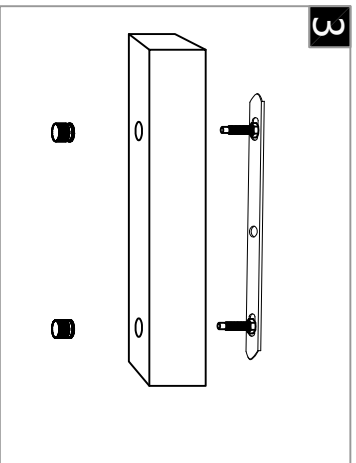


Product style diagram

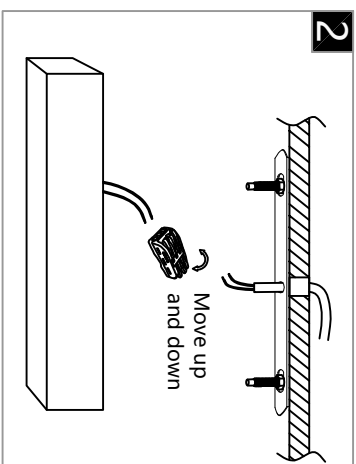
Steps of installation



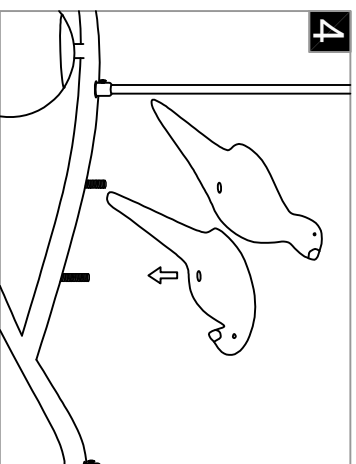
First, fix the expansion screws onto the ceiling, and then lock the mounting plate onto the screws.



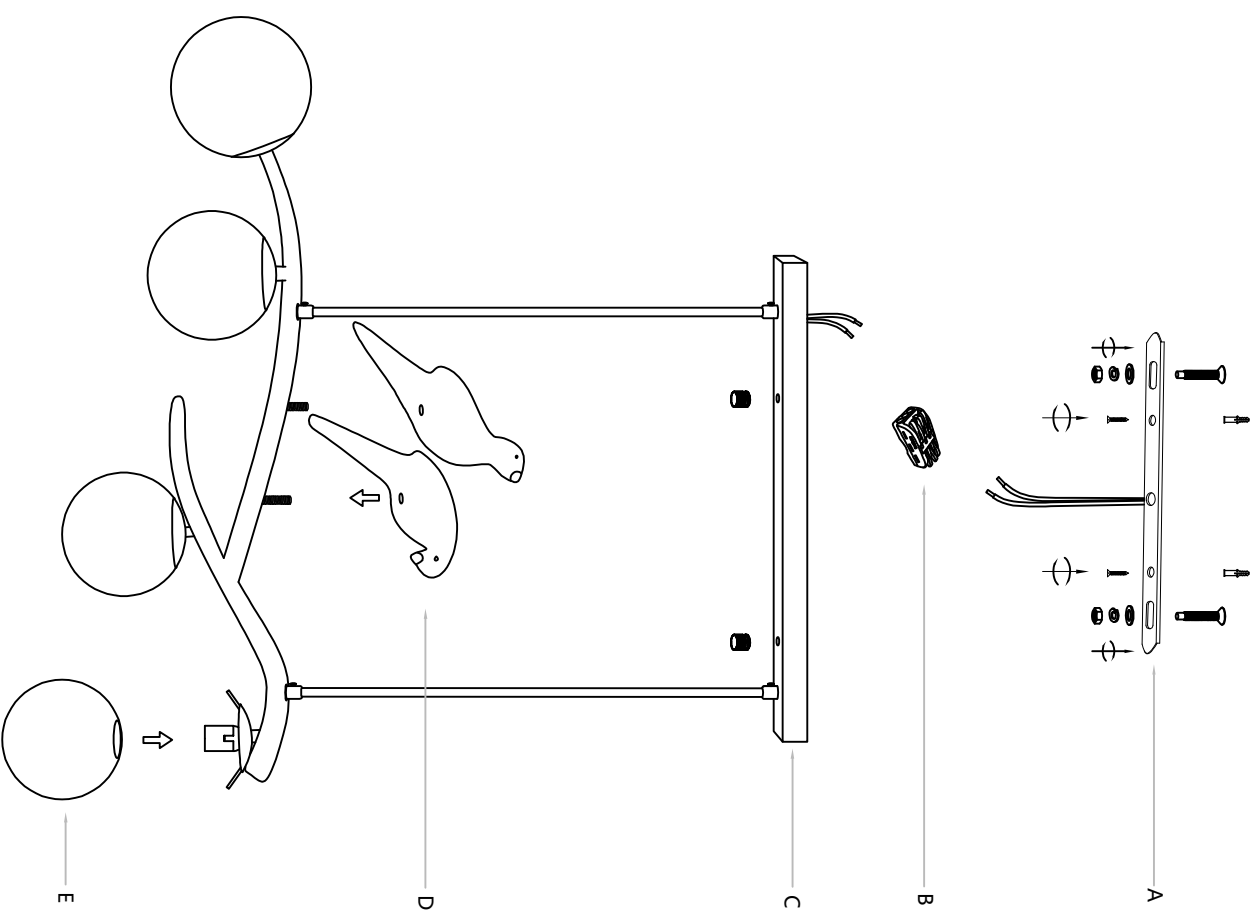
Align the bottom holes on the top cover with the screws on the mounting plate, and then tighten them with a wing nut.



Connect the wires inside the luminaire and ceiling to the terminal, usually neutral wire (white), hot wire (black)



Insert the bird decoration into the lamp body, then install the light source onto the lamp cap, and finally attach the glass ball to the lamp cap.



Fix the mounting plate (A) to the ceiling, then connect the wires of the top cover (C) to the wires on the ceiling and the junction board (B). Next, align the holes on the top cover (C) with those on the mounting plate (A), and tighten them with nuts. Then insert the bird decoration (D) onto the lamp body, install the light source onto the lamp head, and finally insert the glass ball (E) onto the lamp head.