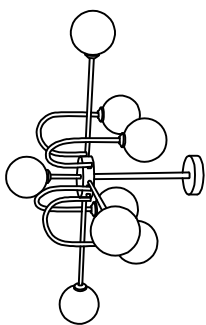
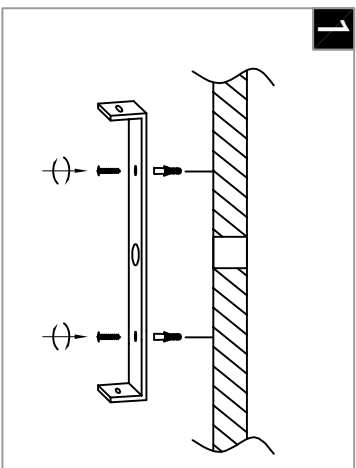


Warning:

This product must be installed by personnel who are familiar with its structure and related hazards, in accordance with the installation specifications. This product is suitable for indoor installation.

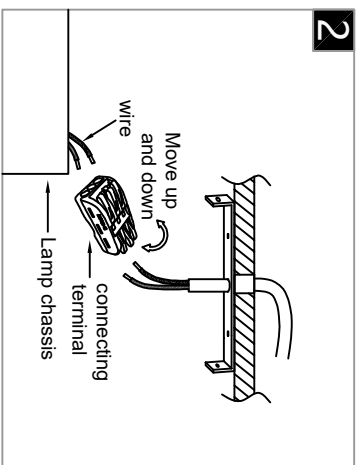


Product style diagram



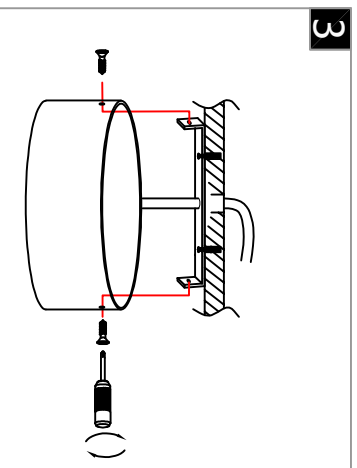
1

Fix the installation board to the ceiling using self-tapping screws.



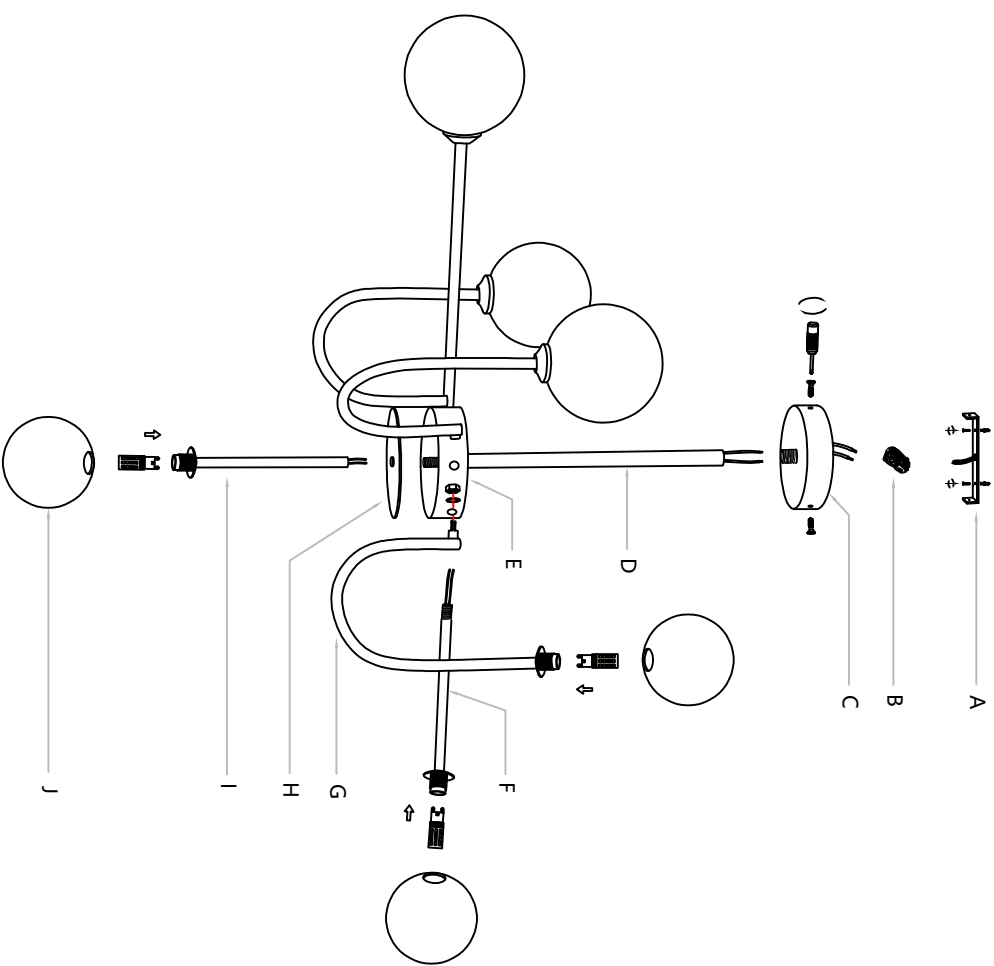
2

Connect the wires to the terminal blocks. Usually, the neutral wire (white) and the live wire (black).



3

Align the holes on the top cover with the holes on the mounting plate, and then secure them with screws.



First, install the U-shaped lamp arm (G) and the parallel lamp arm (F) at an angle onto the lamp body box (E). Then, attach the bottom lamp arm connecting rod (I) to the lamp body bottom cover (H). Next, connect the wires of the same color in the lamp body box (E) together. After that, lead a long wire through the threaded connecting rod (D) and insert it into the reserved position on the top cover (C). Then, install the connecting rod onto the lamp body box (E) and the top cover (C). Finally, install the light source onto the lamp head, and then screw the lampshade (J) onto the lamp head. Fix the mounting plate (A) to the ceiling. Next, connect the wires reserved for the top cover (C) to the wires on the ceiling, and then connect them to the terminal block (B). Then, align the holes on the top cover (C) with the holes on the mounting plate (A), and tighten the screws.