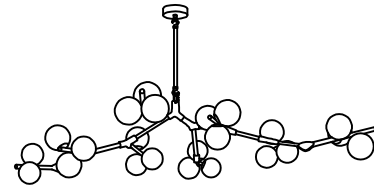
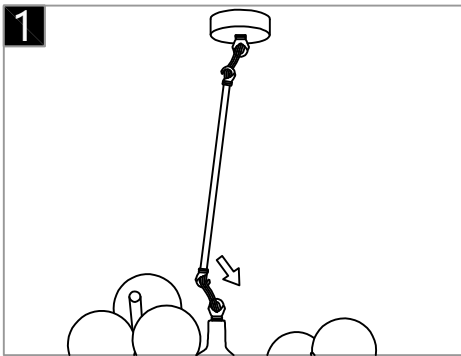


**Warning:**  
This product must be installed by personnel who are familiar with its structure and related hazards, in accordance with the installation specifications. This product is suitable for indoor installation.

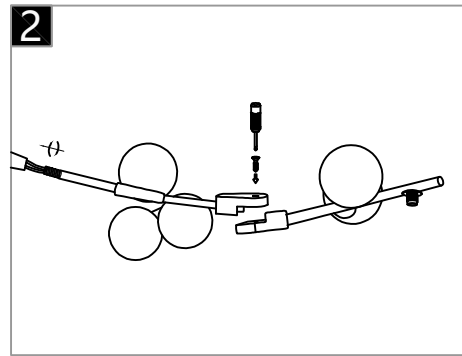


Product style diagram

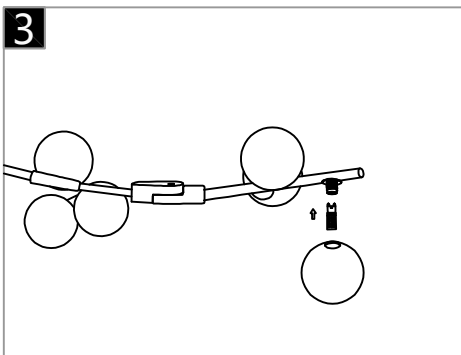
Steps of installation



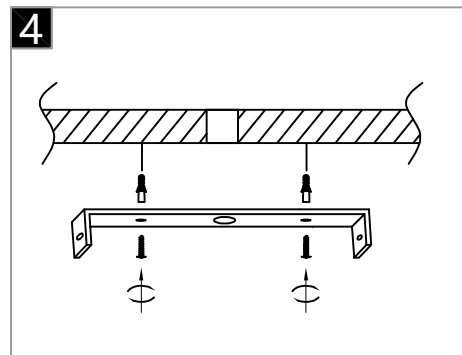
The hook-equipped connecting rod is installed onto the top cover and the lamp body.



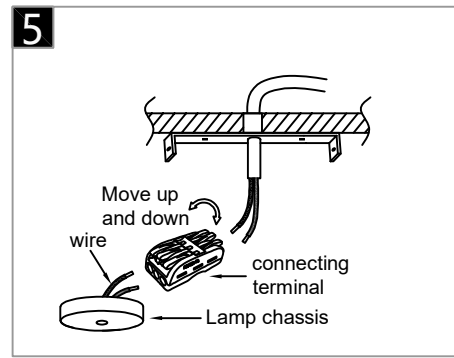
Then, the various lamp arm supports are assembled together, and then screwed onto the lamp body. Next, the fixing clips on the supports are tightened with screws.



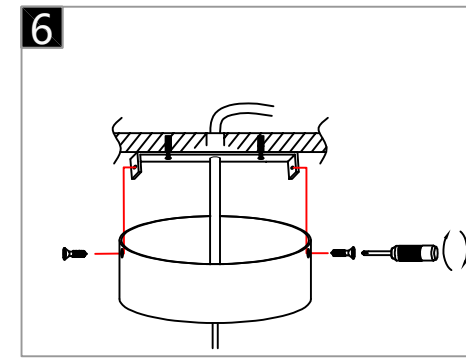
Install the light source first, then screw the glass ball onto the lamp head.



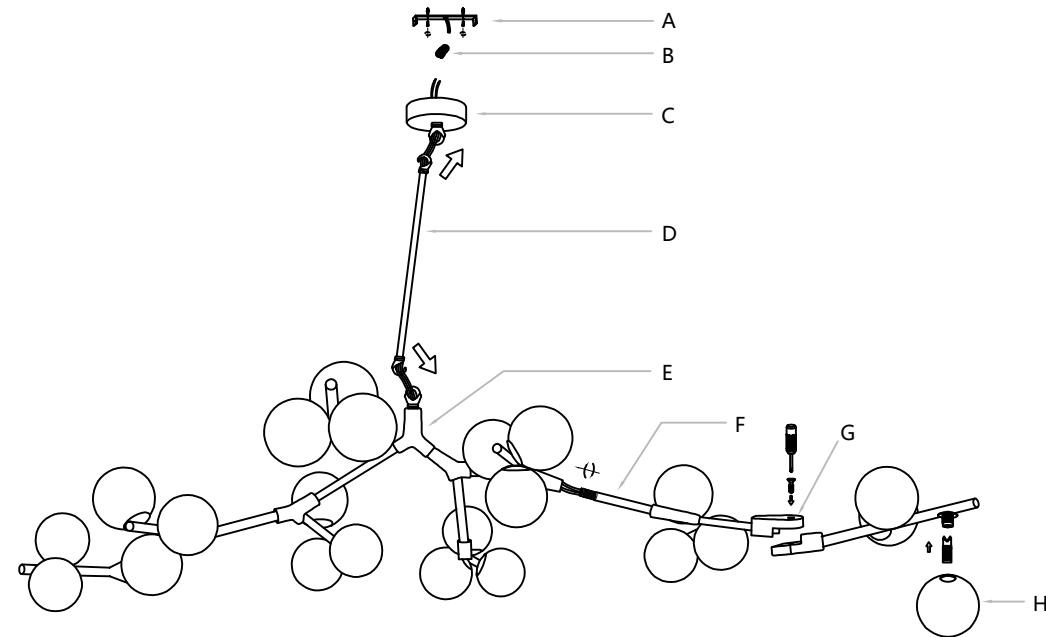
Attach the mounting plate to the ceiling with self-tapping screws.



Connect the wires inside the luminaire and ceiling to the terminal, usually neutral wire (white), hot wire (black)



Align the holes on the top cover with the holes on the mounting plate, and then secure them with screws.



The hook-equipped connecting rod is installed onto the top cover (C) and the lamp body (E). Then, the lamp arm supports (F) are joined together and screwed onto the lamp body (E). Next, the fixing clips (G) on the support are tightened with screws. Finally, the glass ball (H) is screwed onto the lamp head, Fix the mounting plate (A) to the ceiling. Next, connect the wires reserved for the top cover (C) to the wires on the ceiling, and then connect them to the terminal block (B). Then, align the holes on the top cover (C) with the holes on the mounting plate (A), and tighten the screws.