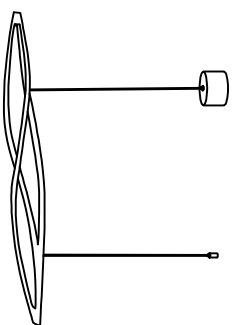


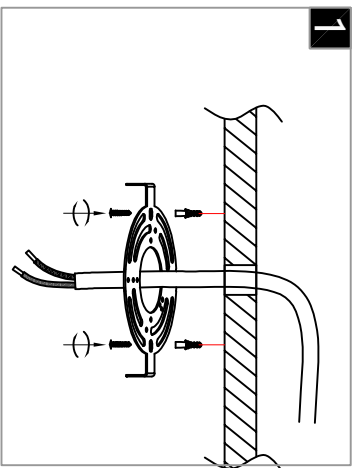
**Warning:**

This product must be installed by personnel who are familiar with its structure and related hazards, in accordance with the installation specifications. This product is suitable for indoor installation.

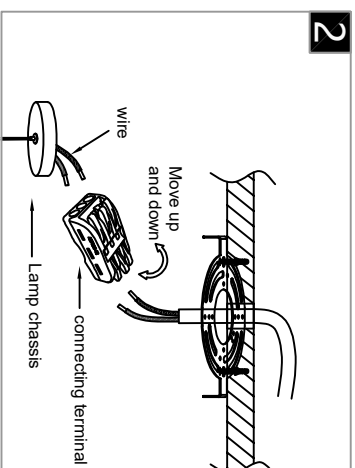


Product style diagram

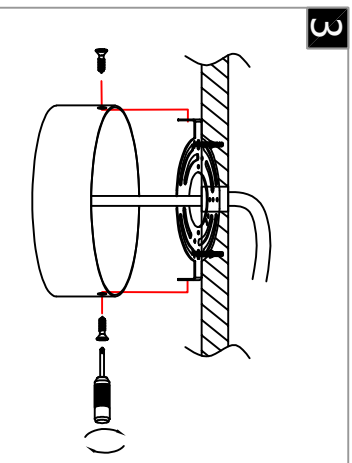
**Steps of installation**



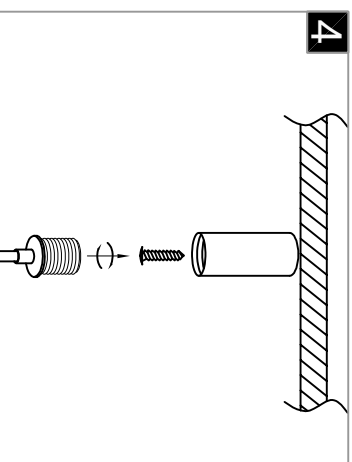
Fix the mounting plate to the ceiling using self-tapping screws.



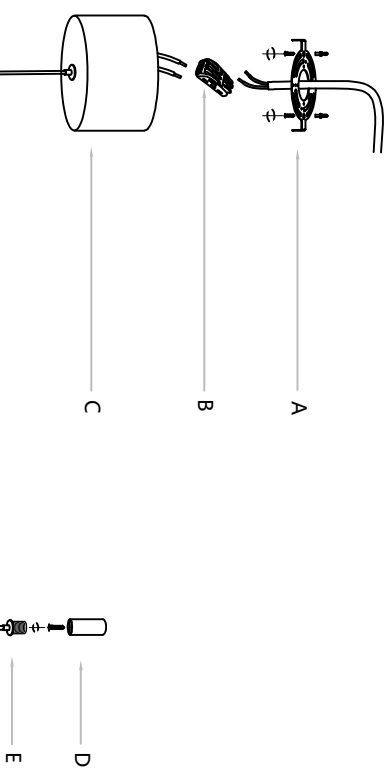
Connect the wires inside the luminaire and ceiling to the terminal, usually neutral wire (white), hot wire (black)



Align the holes on the top cover with the holes on the mounting plate, and then secure them with screws.



Adjust the distance, insert the lock wire pin into the ceiling, and then screw the lamp lock wire clip onto the iron pin.



First, use self-tapping screws to drive the mounting plate (A) into the ceiling. Then, connect the top cover (C) and the reserved wires on the ceiling to the terminal block (B). Next, align the holes on the top cover (C) with the holes on the mounting plate (A), and then screw them tightly. Finally, adjust the distance and insert the locking iron pin (D) into the ceiling, and then screw the lamp locking clip (E) onto the iron pin (D).

