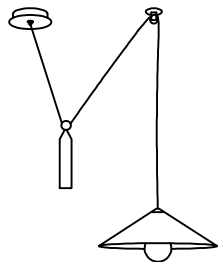
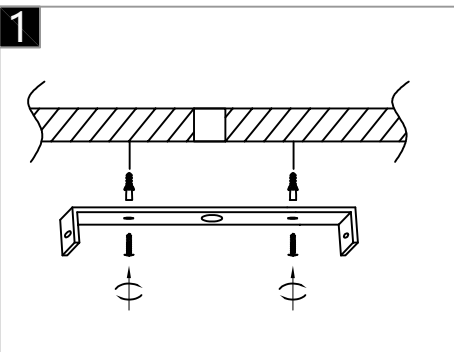


Warning:
This product must be installed by personnel who are familiar with its structure and related hazards, in accordance with the installation specifications. This product is suitable for indoor installation.

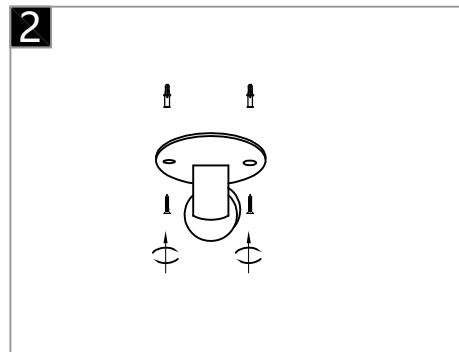


Product style diagram

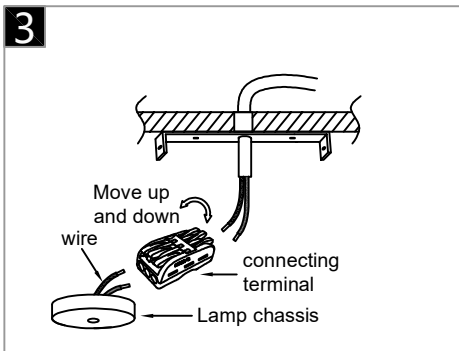
Steps of installation



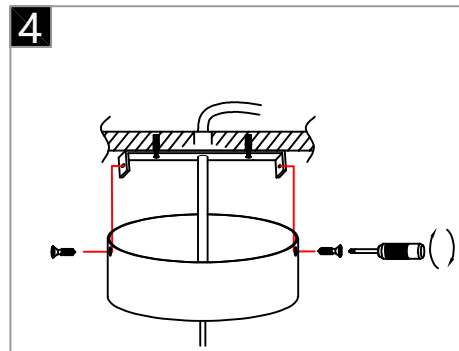
Attach the mounting plate to the ceiling with self-tapping screws.



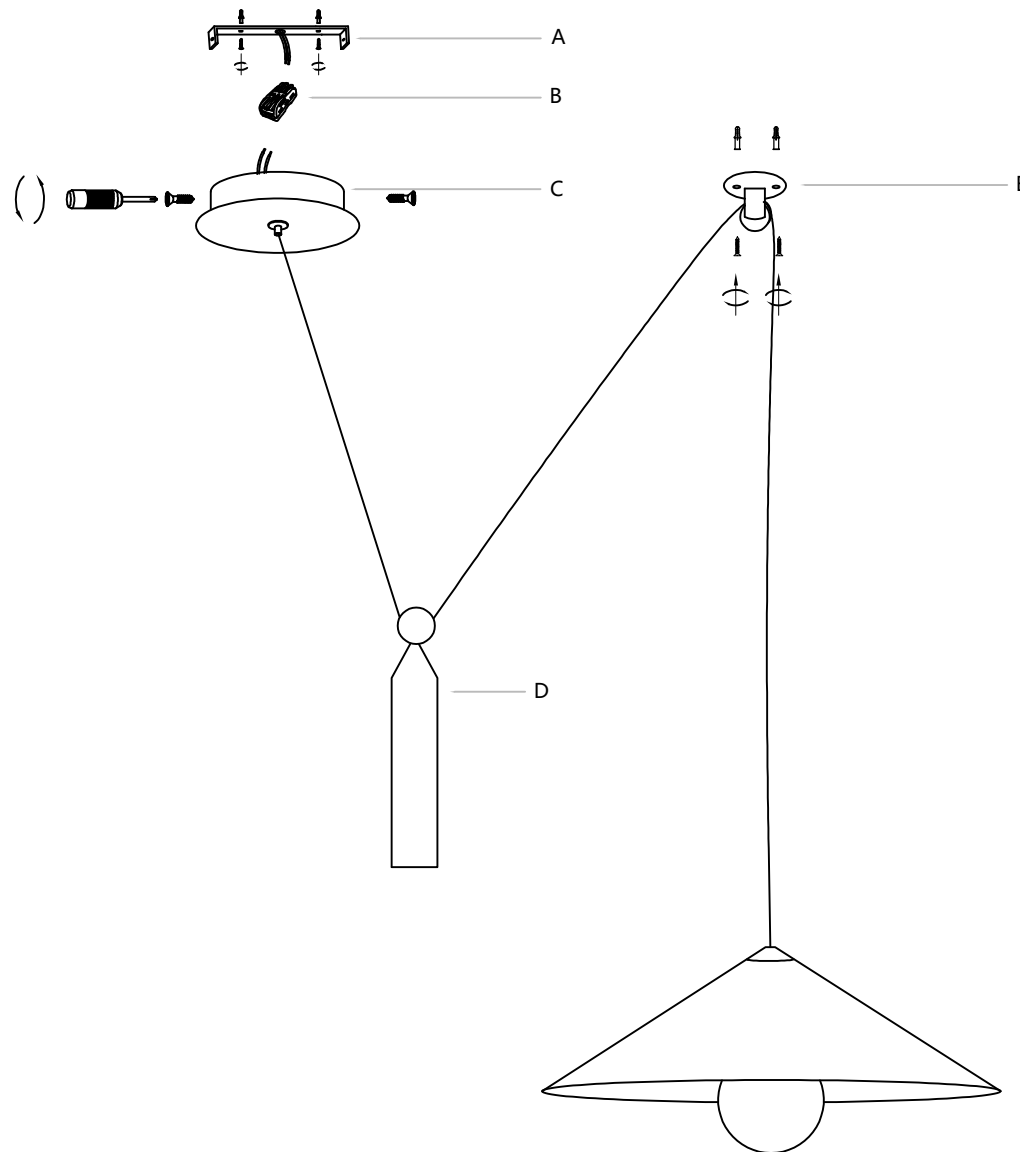
Install the pulley lock onto the ceiling using self-tapping screws.



Connect the wires inside the luminaire and ceiling to the terminal, usually neutral wire (white), hot wire (black)



Align the holes on the top cover with the holes on the mounting plate, and then secure them with screws.



Use self-tapping screws to install the pulley lock (E) onto the ceiling. Then, pass the wires through the pulley lock (E), then through the decorative pulley pendant (D), and finally into the space on the top cover (B). Fix the installation plate (A) onto the ceiling. Next, connect the wires (C) for the top cover to the wiring terminals (B) on the ceiling. Then, align the holes on the top cover with the holes on the installation plate and tighten the screws.