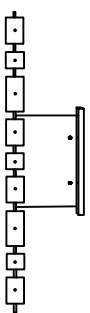


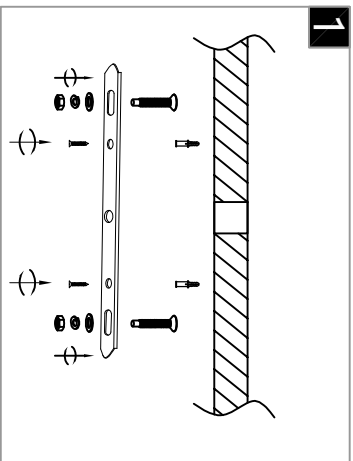
Warning:

This product must be installed by personnel who are familiar with its structure and related hazards, in accordance with the installation specifications. This product is suitable for indoor installation.

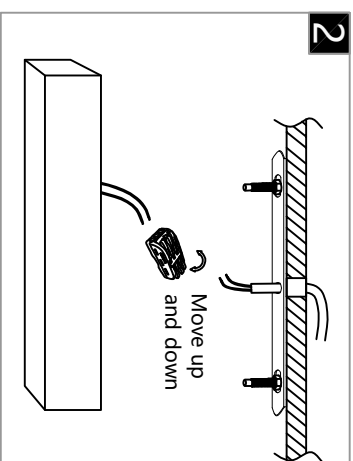


Product style diagram

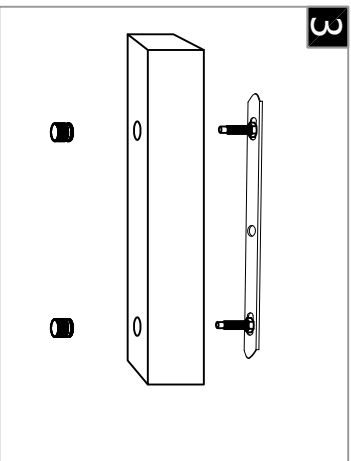
Steps of installation



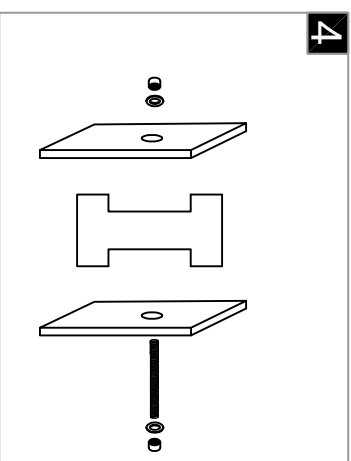
First, fix the expansion screws onto the ceiling, and then lock the mounting plate onto the screws.



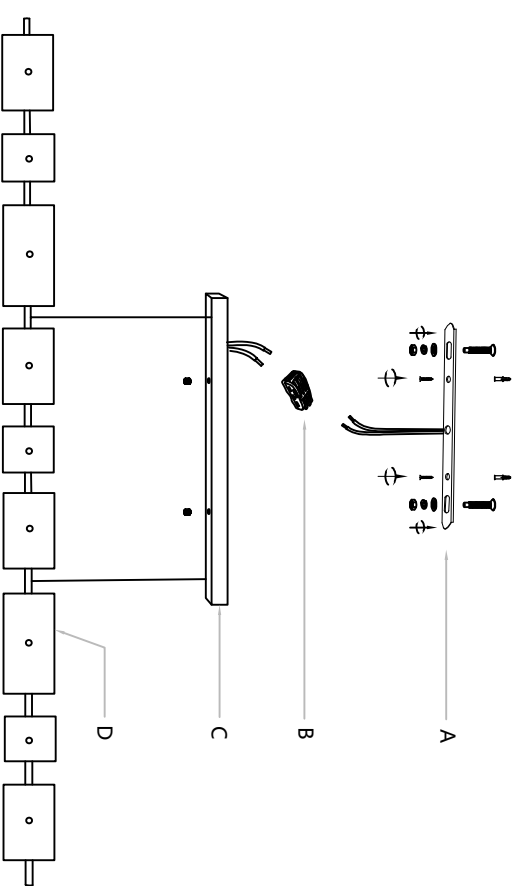
Connect the wires inside the luminaire and ceiling to the terminal, usually neutral wire (white), hot wire (black)



Align the bottom holes on the top cover with the screws on the mounting plate, and then tighten them with a wing nut.



Finally, secure the glass plate to the lamp body using screws.



Fix the mounting plate (A) to the ceiling, then connect the wires of the top cover (C) to the wires on the ceiling and the terminal board (B). Next, align the holes on the top cover (C) with the holes on the mounting plate (A), and tighten the screws. Finally, secure the glass sheet (D) to the lamp body with screws.