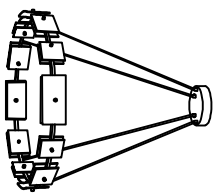
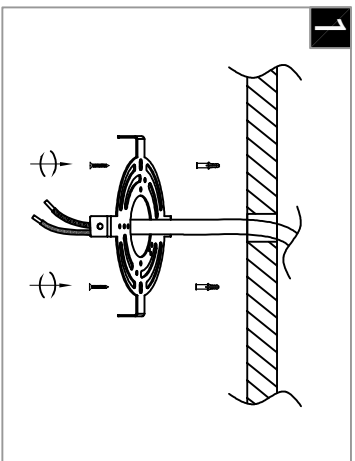


**Warning:**  
This product must be installed by personnel who are familiar with its structure and related hazards, in accordance with the installation specifications. This product is suitable for indoor installation.

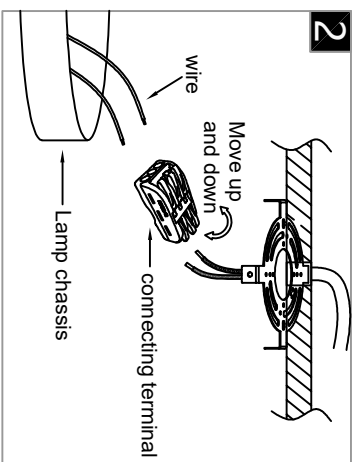


## Steps of installation

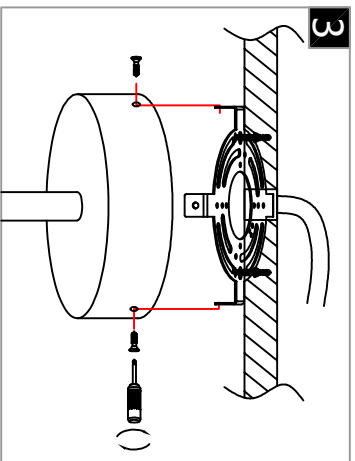
Product style diagram



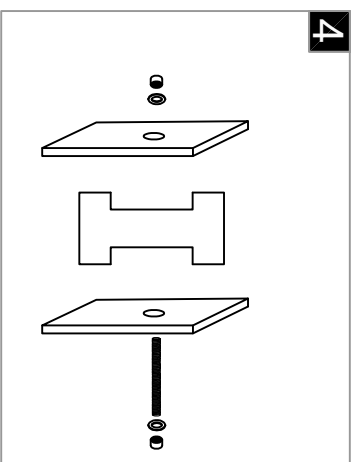
**1** Install the T-shaped bracket onto the main body of the lamp, and then secure it with screws.



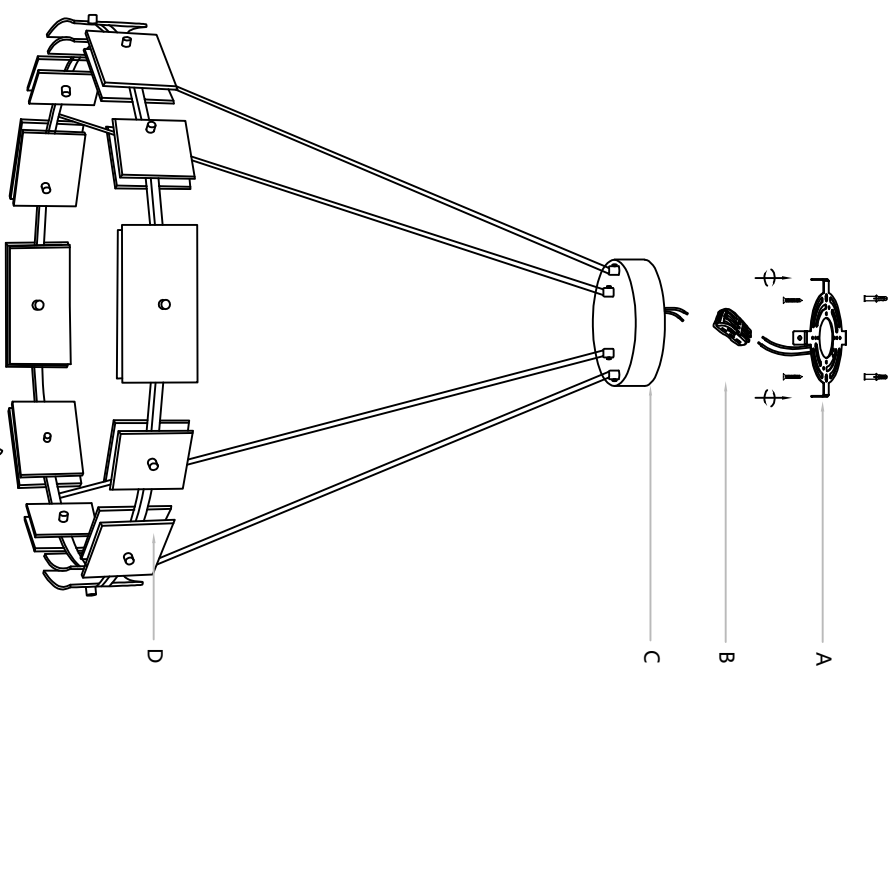
**2** Connect the wires inside the luminaire and ceiling to the terminal, usually neutral wire (white), hot wire (black)



**3** Align the two holes on the top cover of the lamp with the holes on the installation plate on the ceiling, and then secure them with screws.



**4** Fix the glass plate in a small-medium-large sequence on the lamp body using screws.



Fix the mounting plate (A) to the ceiling, then connect the wires of the top cover (C) to the wires on the ceiling and the junction box (B). Next, align the holes on the top cover (C) with those on the mounting plate (A), and tighten the screws. Finally, install the glass plate (D) on the lamp body in the order of small, medium and large using screws.