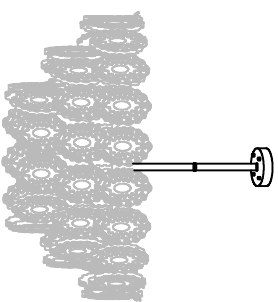


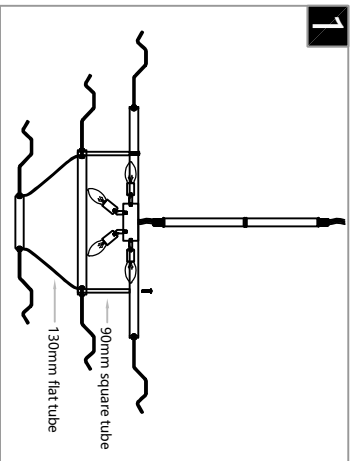
Warning:

This product must be installed by personnel who are familiar with its structure and related hazards, in accordance with the installation specifications. This product is suitable for indoor installation.

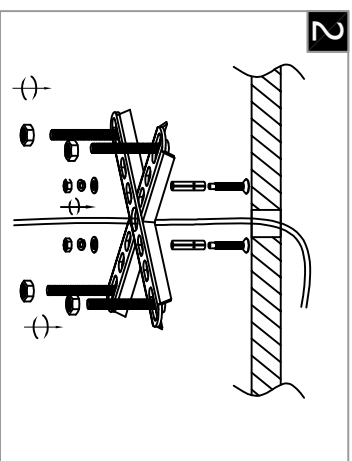


Steps of installation

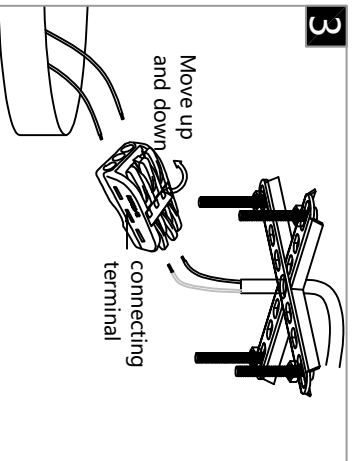
Product style diagram



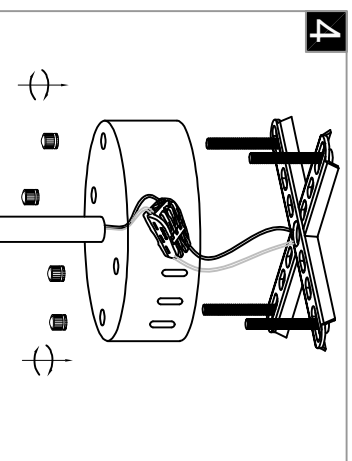
First, assemble the lamp stand together. Then, thread the wires on the lamp stand through the connecting rod and insert them into the top cover. Finally, screw the connecting rod onto the lamp stand and the top cover.



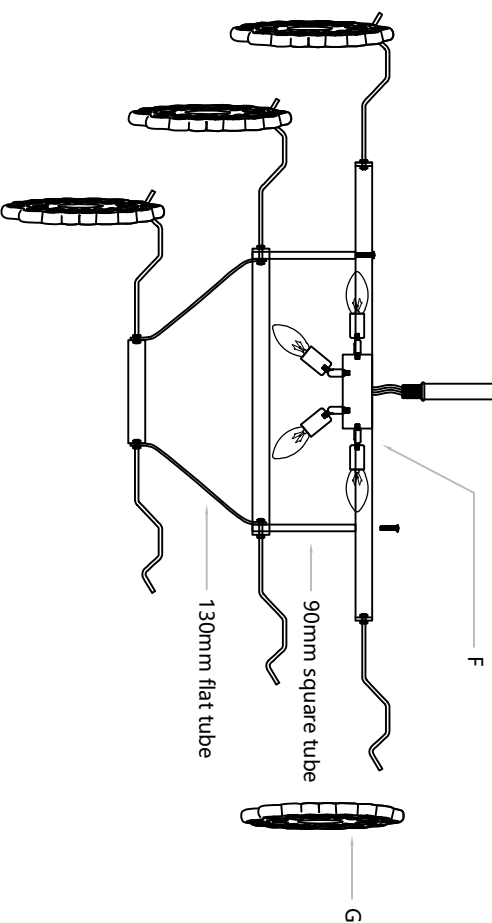
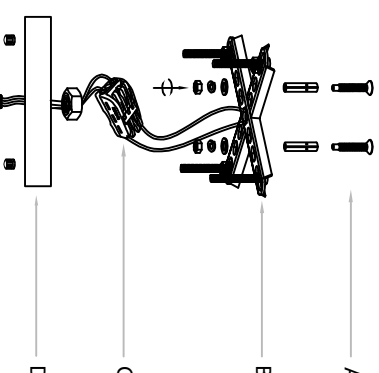
First, fix the expansion screws onto the ceiling, and then lock the mounting plate onto the screws.



Connect the wires inside the luminaire and ceiling to the terminal, usually neutral wire (white), hot wire (black)



Align the top cover hole position on the luminaire with the screws on the mounting plate and then secure from the bottom using the nut.



First, assemble the lamp stand (F) together. Then, thread the wires on the lamp stand through the connecting rod (E) and insert them into the top cover (D). Next, screw the connecting rod (E) onto the lamp stand (F) and the top cover (D). After that, drive the expansion screws (A) into the ceiling. Then, fix the mounting plate (B) onto the screws. Connect the reserved wires on the ceiling and the top cover (C) to the terminal block (C). Finally, align the holes on the top cover (D) with the screws on the mounting plate (B), and tighten them with a nut. It is also advisable to hang the glass sheet (G) onto the hook of the lamp (F).