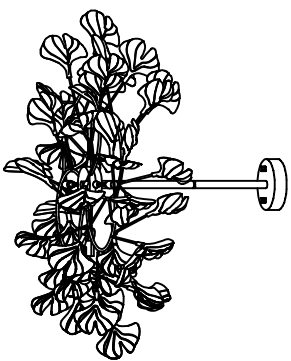
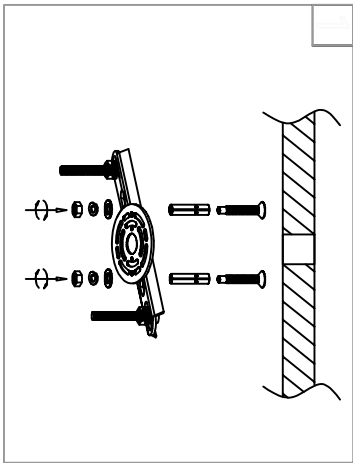


Warning:
This product must be installed by personnel who are familiar with its structure and related hazards, in accordance with the installation specifications. This product is suitable for indoor installation.

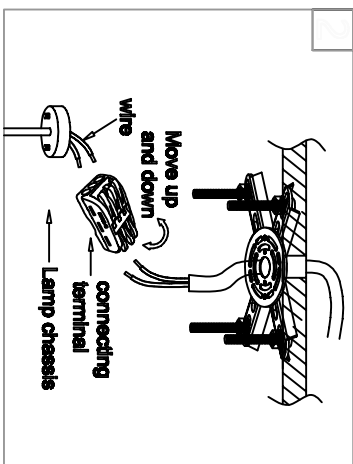


Product style diagram

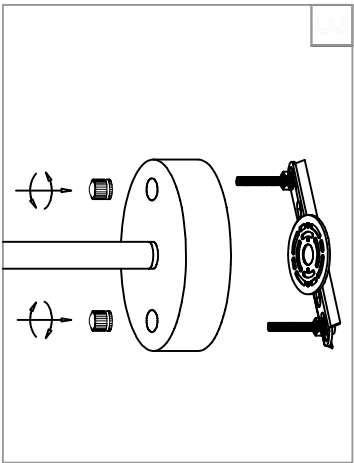
Steps of installation



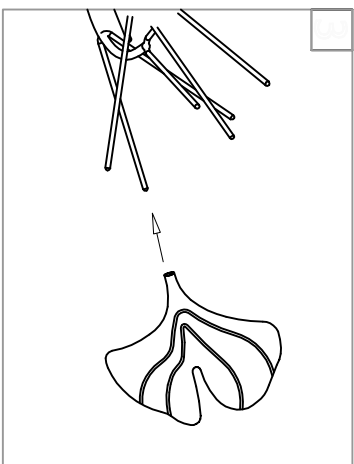
Install the mounting plate onto the ceiling.



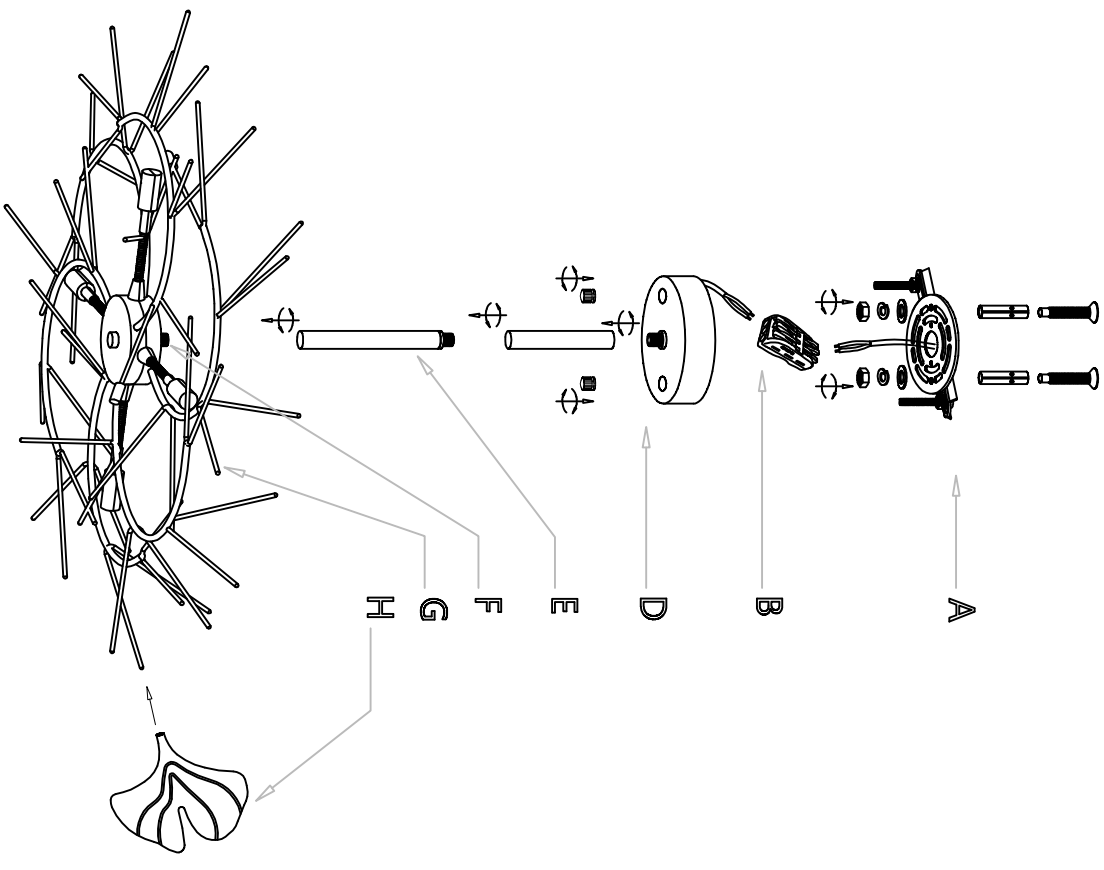
Use the quick connector to connect the wires of the top cover with those of the ceiling.



Align the holes of the top cover with the threaded rod of the mounting plate, and tighten the nut.



Install the bulb onto the lamp head. Next, align the holes of the ginkgo leaf lampshade with the cylinder and insert it in.



First, assemble the lamp pole (B) and then install the lamp pole (B) in the middle of the lamp body (F) and the top cover (A). Next, install the mounting plate (A) onto the ceiling. Then, use the quick connector (B) to connect the wires of the top cover (D) with those of the ceiling. Then, align the holes of the top cover (C) with the threaded rod of the mounting plate (A) and tighten the nut. Then, install the bulb onto the lamp head. Next, align the holes of the ginkgo leaf lampshade (H) with the cylinder (G) and insert it in.