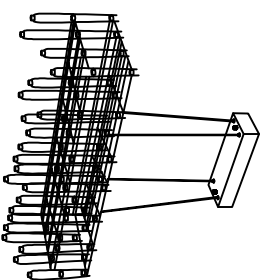


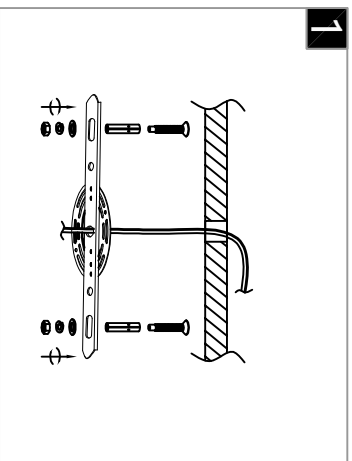
**Warning:**

This product must be installed by personnel who are familiar with its structure and related hazards, in accordance with the installation specifications. This product is suitable for indoor installation.

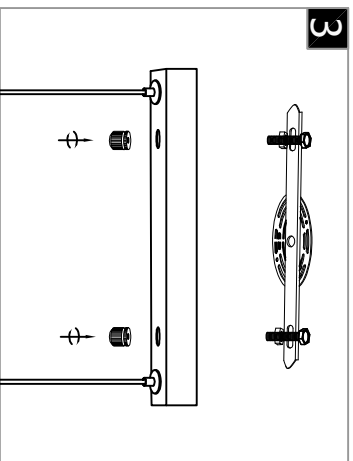


Product style diagram

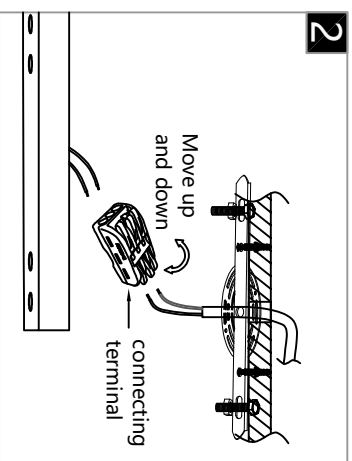
**Steps of installation**



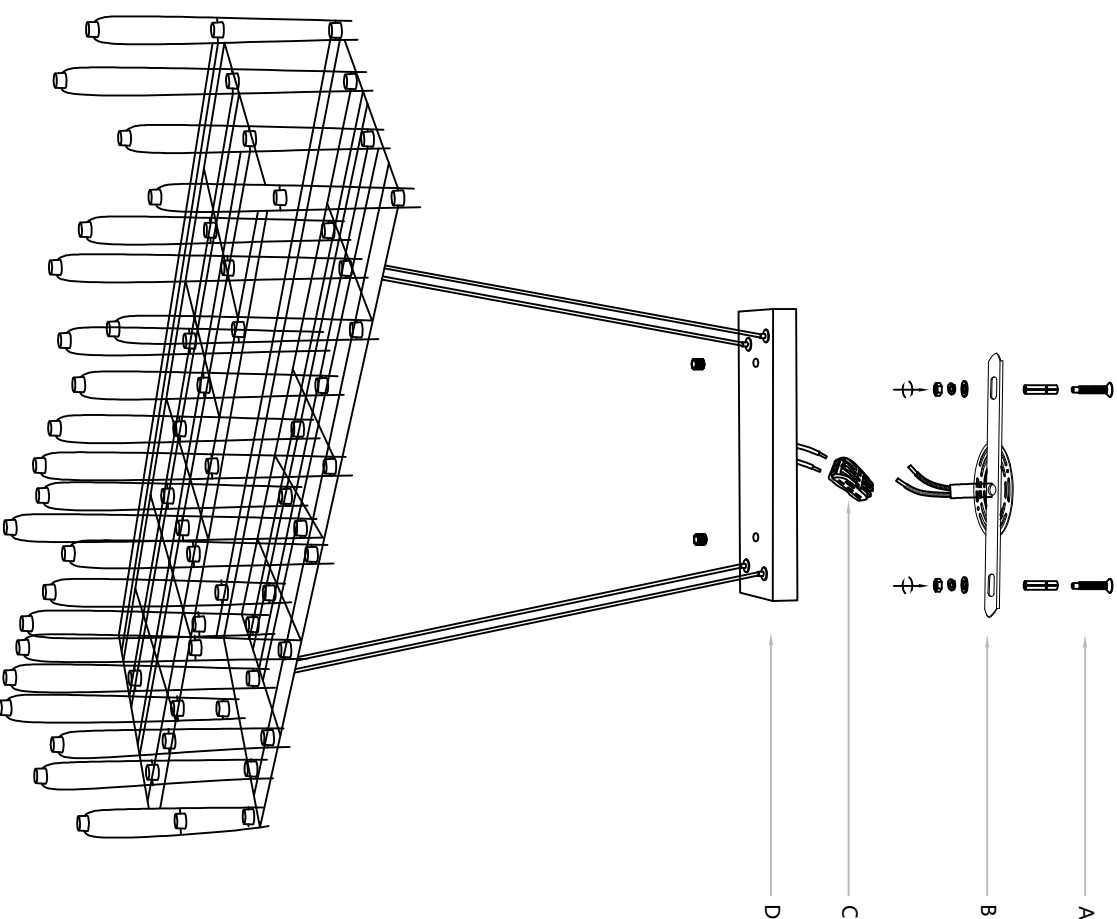
fix the expansion screws onto the ceiling, and then lock the mounting plate onto the screws.



Align the top cover hole position on the luminaire with the screws on the mounting plate and then secure from the bottom using the nut.



Connect the wires inside the luminaire and ceiling to the terminal, usually neutral wire (white), hot wire (black)



First, install the lamp ring (D) on the top cover (C), then tighten the screws. Next, fix the mounting plate (A) to the ceiling, then connect the wires of the top cover (C) to the wires on the ceiling and to the terminal block (B). Then align the holes on the top cover (C) with the holes on the mounting plate (A), and tighten the screws.