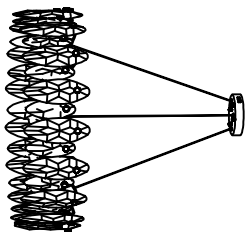


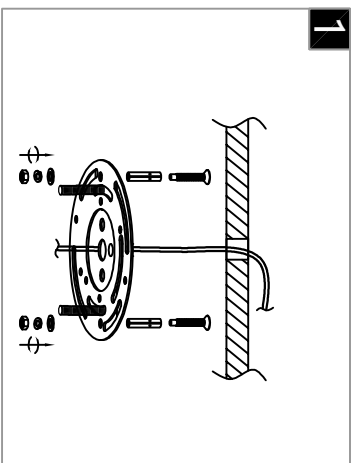
**Warning:**

This product must be installed by personnel who are familiar with its structure and related hazards, in accordance with the installation specifications. This product is suitable for indoor installation.

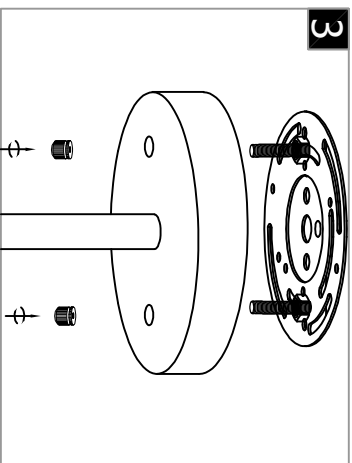


Product style diagram

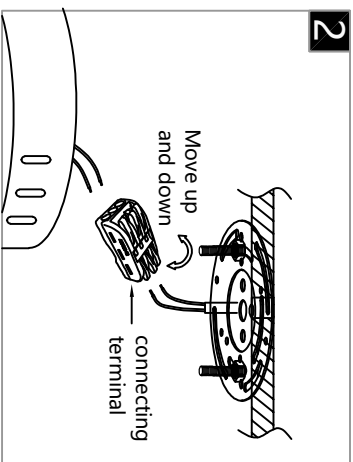
**Steps of installation**



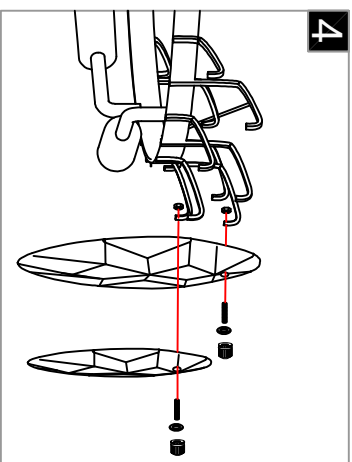
fix the expansion screws onto the ceiling, and then lock the mounting plate onto the screws.



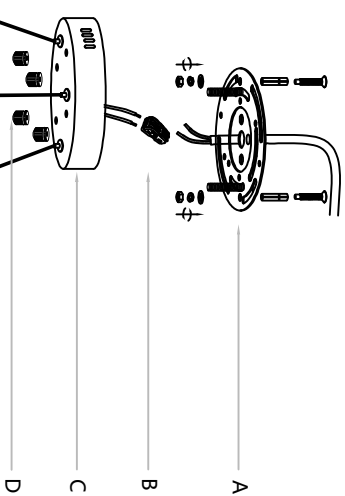
Align the top cover hole position on the luminaire with the screws on the mounting plate and then secure from the bottom using the nut.



Connect the wires inside the luminaire and ceiling to the terminal, usually neutral wire (white), hot wire (black)



Finally, use screws to attach the lamp stand to the hook on the lamp stand, and the small crystal to the lower hook of the lamp stand. Then, insert the spacer and tighten the nut.



Fix the mounting plate (A) to the ceiling. Next, connect the wires of the reserved cover (C) to the wires on the ceiling, and then connect them to the terminal (B). Then, align the holes on the cover (C) with the holes on the mounting plate (A), and tighten them with wing nuts (D). Finally, fix the large crystal (F) to the hook of the lamp frame (E) with screws, and install the small crystal (G) on the lower hook of the lamp frame (E). Insert the spacer and tighten the nut.

