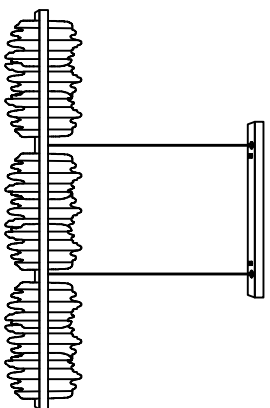
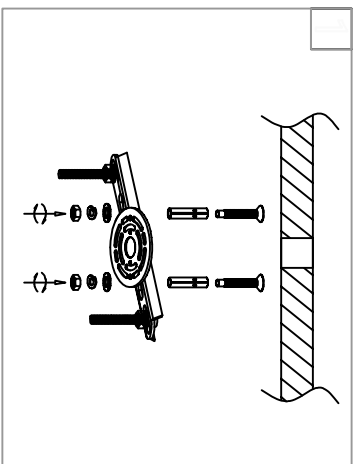


**Warning:**  
This product must be installed by personnel who are familiar with its structure and related hazards, in accordance with the installation specifications. This product is suitable for indoor installation.

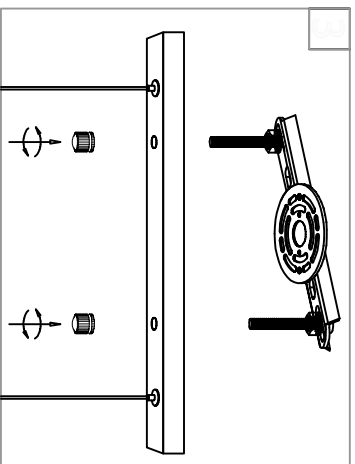


Product style diagram

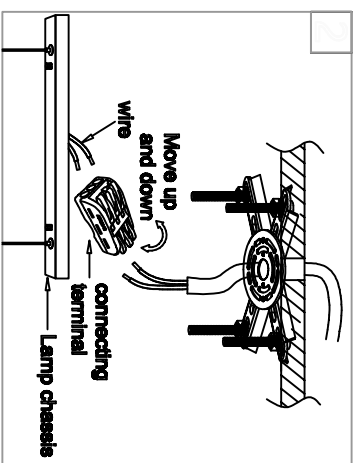
Steps of installation



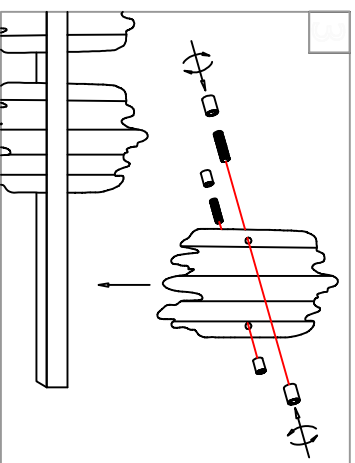
Attach the mounting plate to the ceiling.



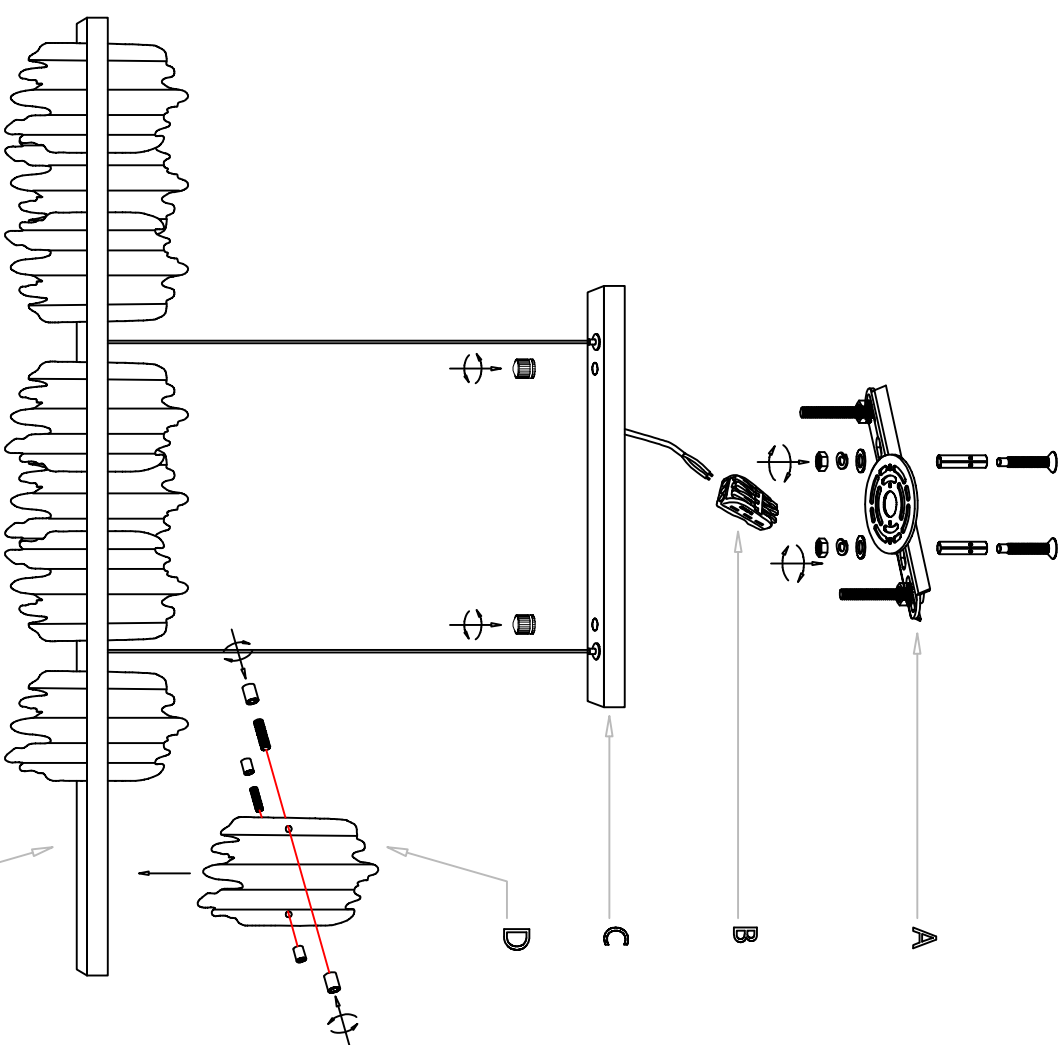
Align the holes of the top cover with those of the mounting plate, and tighten the screws.



Connect the wires of the top cover to those of the ceiling using the terminal block.



Pass the threaded rod through the lampshade, install the cylinders at both ends, and insert it into the slot in the middle of the lamp body.



First, install the fixed plate (A) onto the wall. Then, connect the wires on the top cover (C) to the wires on the wall through the terminal block (D). Next, align the holes of the top cover (A) with the threaded rods on the installation plate (A) and tighten the nuts. After that, pass the threaded rod through the lampshade (B), install the cylinders at both ends, and insert it into the slot in the middle of the lamp body (E).