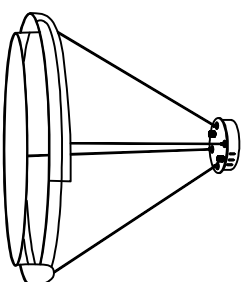


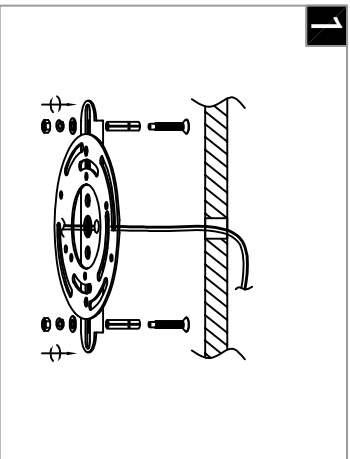
**Warning:**

This product must be installed by personnel who are familiar with its structure and related hazards, in accordance with the installation specifications. This product is suitable for indoor installation.



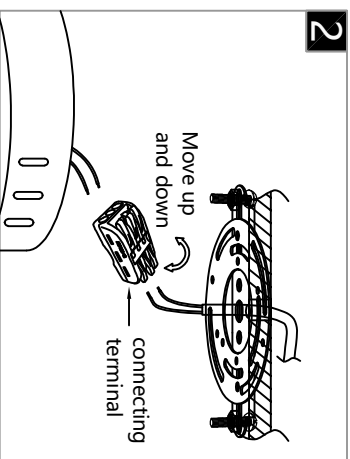
Product style diagram

**Steps of installation**



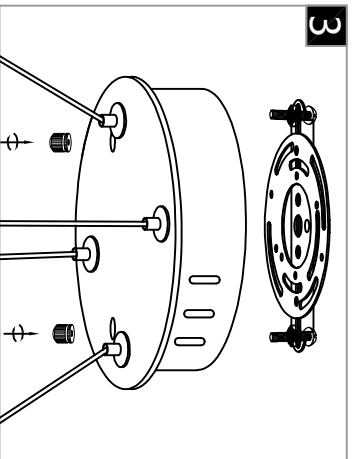
**1**

fix the expansion screws onto the ceiling, and then lock the mounting plate onto the screws.



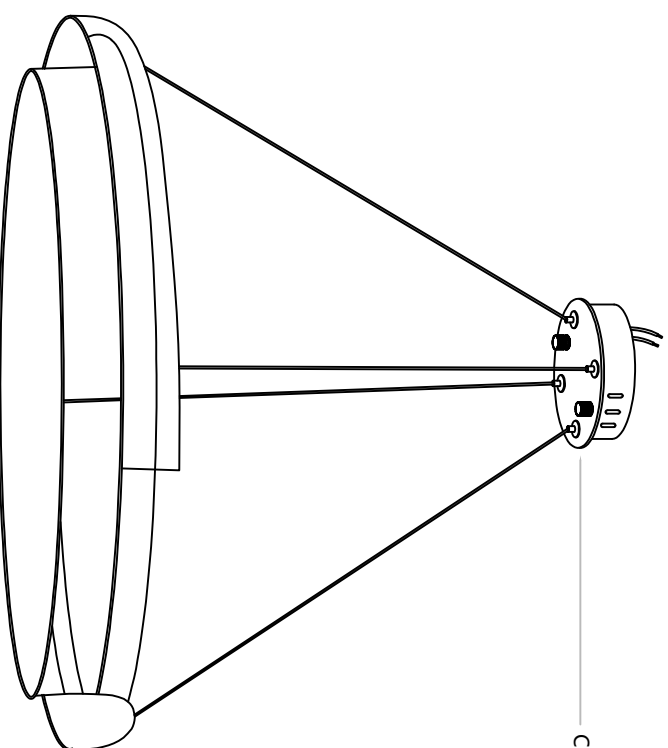
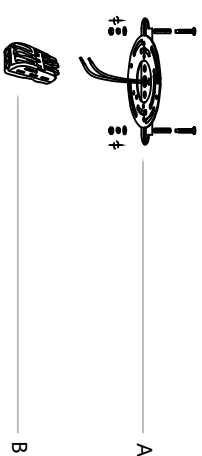
**2**

Connect the wires inside the luminaire and ceiling to the terminal, usually neutral wire (white), hot wire (black)



**3**

Align the top cover hole position on the luminaire with the screws on the mounting plate and then secure from the bottom using the nut.



Fix the mounting plate **(A)** to the ceiling, then connect the wires reserved for the top cover **(C)** and the wires on the ceiling to the terminal **(B)**, then align the hole position at the bottom of the top cover **(C)** with the hole position on the mounting plate **(A)**, then tighten the screws,