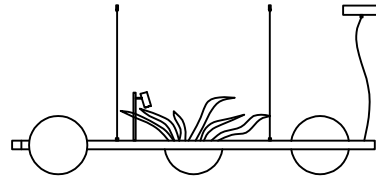
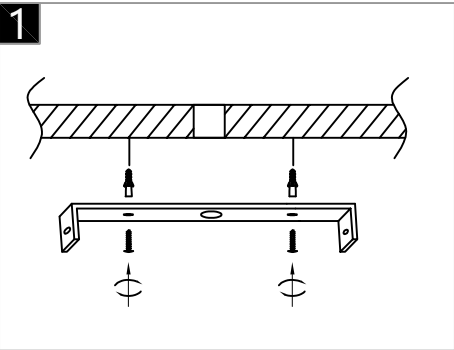


**Warning:**  
 This product must be installed by personnel who are familiar with its structure and related hazards, in accordance with the installation specifications. This product is suitable for indoor installation.

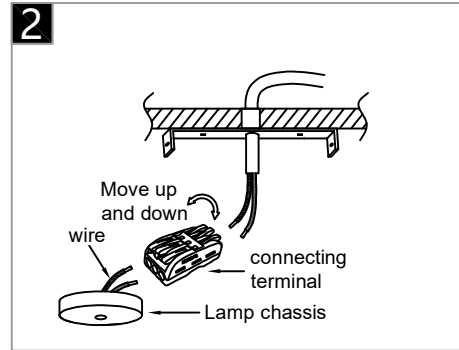


Product style diagram

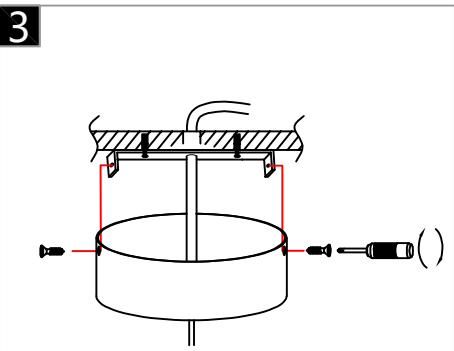
Steps of installation



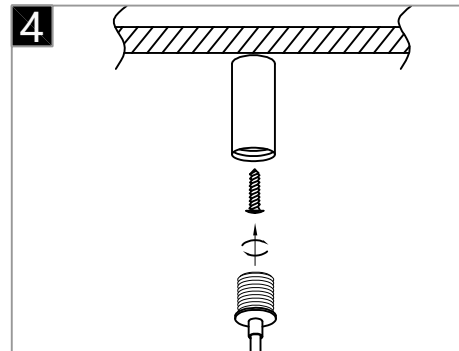
Attach the mounting plate to the ceiling with self-tapping screws.



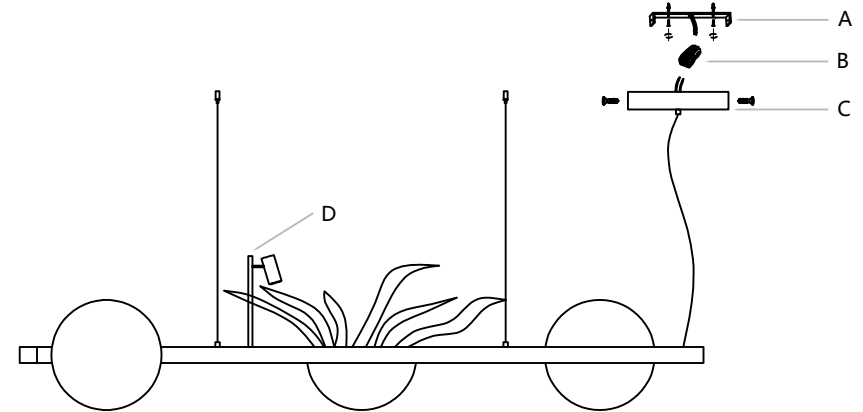
Connect the wires inside the luminaire and ceiling to the terminal, usually neutral wire (white), hot wire (black)



Align the holes on the top cover with the holes on the mounting plate, and then secure them with screws.



Place the iron pin at the desired Angle, then attach it to the ceiling with self-tapping screws, and then fasten it with locking wire Screw it on the iron pin.



First, install the lamp arm (D) onto the lamp body. Then, tighten the screws. Next, attach the wire clip to the ceiling. Then, fix the mounting plate (A) to the ceiling. After that, connect the wire (C), which is reserved for the top cover, to the wire on the ceiling and to the terminal (B). Then, align the hole on the top cover (C) with the hole on the mounting plate (A), and tighten the screws.