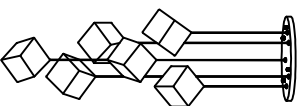
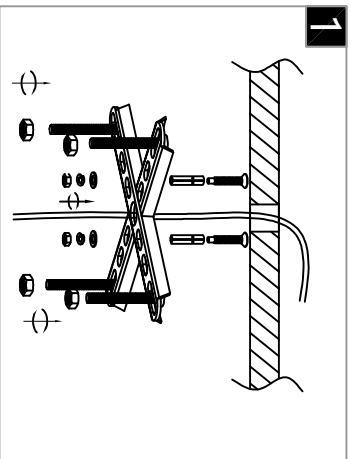


Warning:

This product must be installed by personnel who are familiar with its structure and related hazards, in accordance with the installation specifications. This product is suitable for indoor installation.

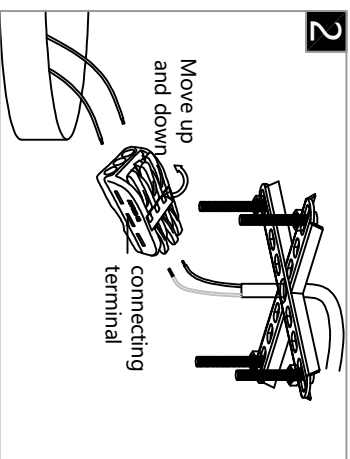


Steps of installation

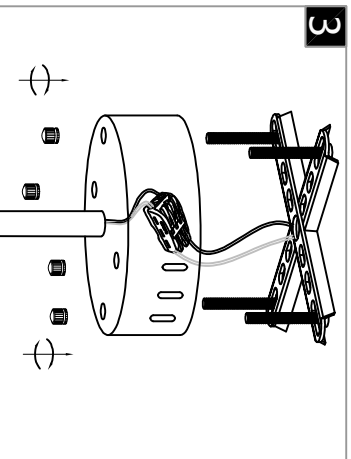


1 First, fix the expansion screws onto the ceiling, and then lock the mounting plate onto the screws.

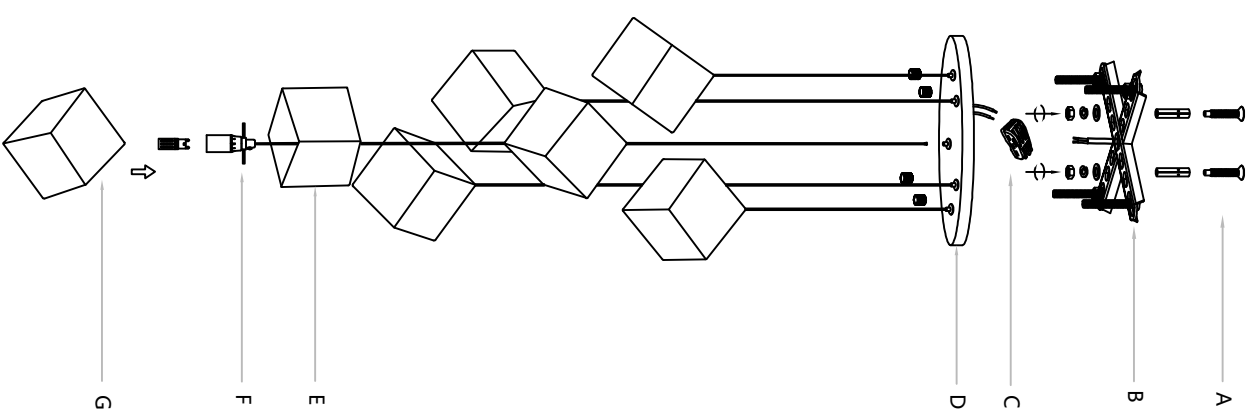
Product style diagram



2 Connect the wires inside the luminaire and ceiling to the terminal, usually neutral wire (white), hot wire (black)



3 Align the top cover hole position on the luminaire with the screws on the mounting plate and then secure from the bottom using the nut.



Pass the wires of the three-pronged straight tube lamp head (F) through the square lamp cover (E) and install it onto the top cover (D). Then, insert the square glass cover (G) onto the three-pronged straight tube lamp head (F). Next, drive the expansion screws (A) into the ceiling. Then, fix the installation plate (B) onto the screws. Then, connect the top cover (D) and the reserved wires on the ceiling to the terminal block (C). Finally, install the holes on the top cover (D) onto the screws on the installation plate (B), and then lock them with nuts.