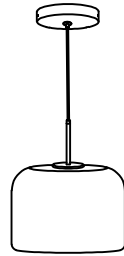
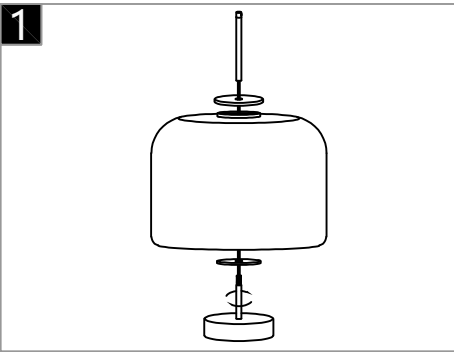


**Warning:**  
This product must be installed by personnel who are familiar with its structure and related hazards, in accordance with the installation specifications. This product is suitable for indoor installation.

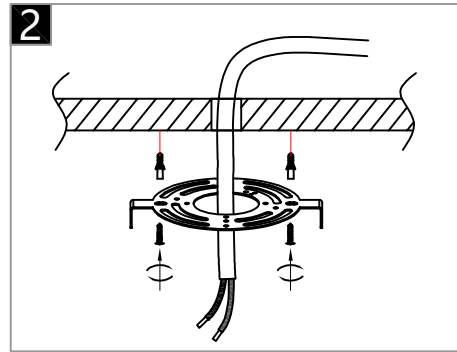


Product style diagram

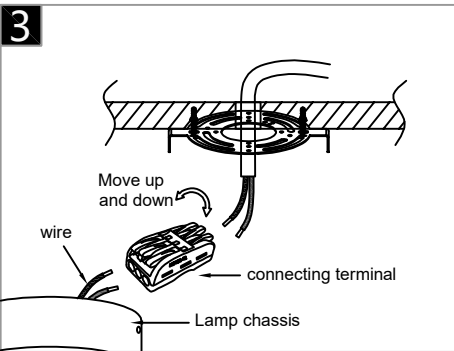
Steps of installation



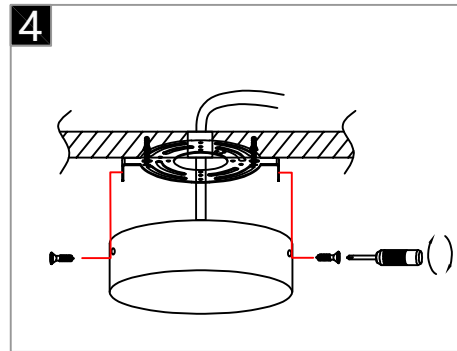
Install the lampshade step by step, and then connect the lamp body connecting rods together.



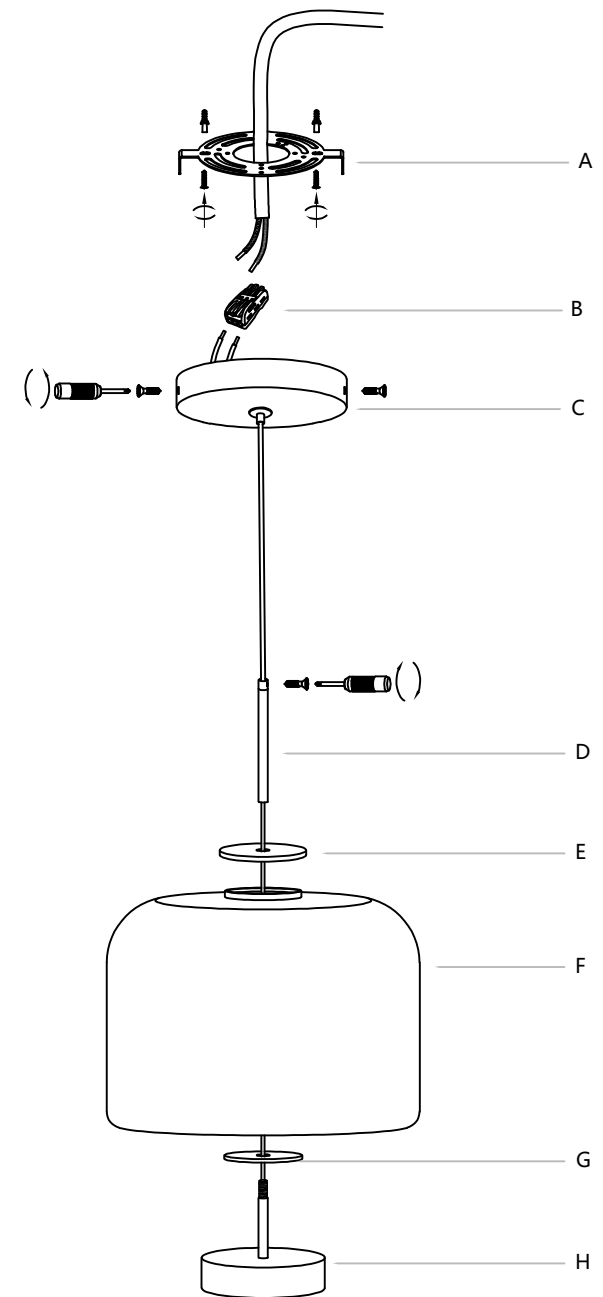
Fix the mounting plate to the ceiling using self-tapping screws.



Connect the wires inside the luminaire and ceiling to the terminal, usually neutral wire (white), hot wire (black)



Align the holes on the top cover with the holes on the mounting plate, and then secure them with screws.



Pass the wires on the lamp head box (H) through the gasket (G), the lamp shade (F), the glass cover (E), and the connecting rod (D), then insert it into the top cover (C). Next, install the lamp head box (H) onto the lamp shade (F), and then fix the entire assembly onto the connecting rod (D). It is best to use a screwdriver to secure the wires inside above the connecting rod (D). Then, Fix the mounting plate (A) to the ceiling. Next, connect the wires reserved for the top cover (C) to the wires on the ceiling, and then connect them to the terminal block (B). Then, align the holes on the top cover (C) with the holes on the mounting plate (A), and tighten the screws.