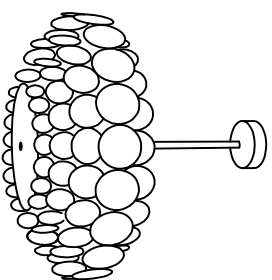


WOMO Lighting

Model number : WM2140

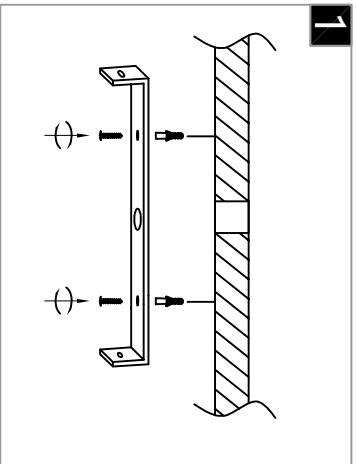
Warning:

This product must be installed by personnel who are familiar with its structure and related hazards, in accordance with the installation specifications. This product is suitable for indoor installation.

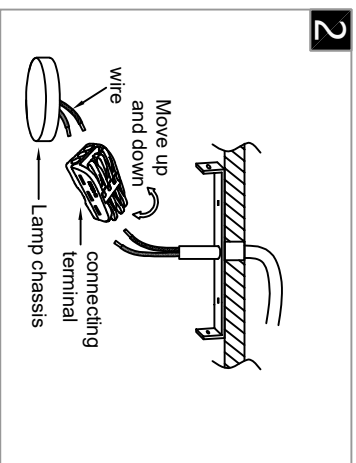


Product style diagram

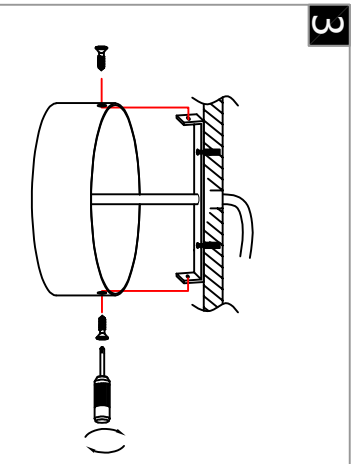
Steps of installation



Attach the mounting plate to the ceiling with self-tapping screws.



Connect the wires inside the luminaire and ceiling to the terminal, usually neutral wire (white), hot wire (black)



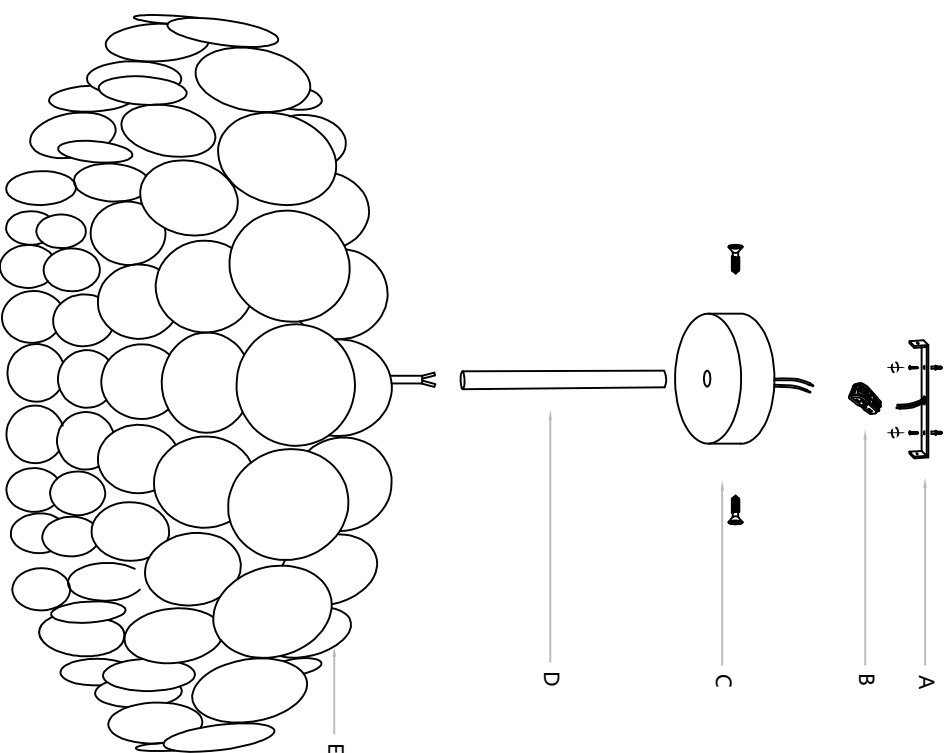
Align the holes on the top cover with the holes on the mounting plate, and then secure them with screws.

3

2

1

3



First, insert the wires of the lamp body (E) through the internal threaded rod (D) and place it on the top cover (C). Then, install the internal threaded rod (D) onto the lamp body (E). Next, install the light shield (F) on the bottom of the lamp body (E). Finally, secure it with a nut (B). Fix the mounting plate (A) to the ceiling. Next, connect the wires reserved for the top cover (C) to the wires on the ceiling, and then connect them to the terminal block (B). Then, align the holes on the top cover (C) with the holes on the mounting plate (A), and tighten the screws.