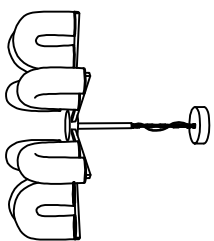


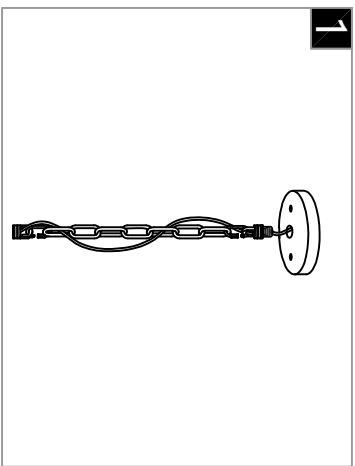
Warning:

This product must be installed by personnel who are familiar with its structure and related hazards, in accordance with the installation specifications. This product is suitable for indoor installation.



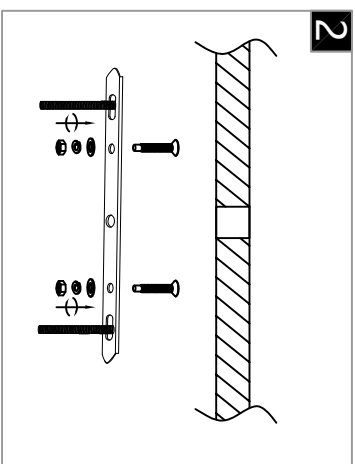
Product style diagram

Steps of installation



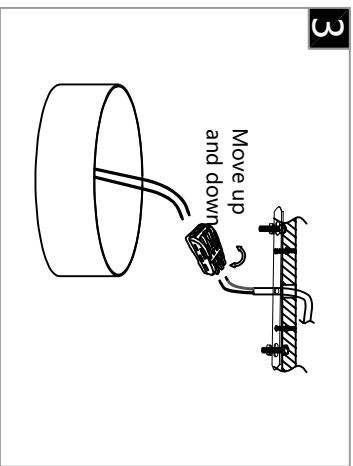
1

Pass the wire through the chain and insert it into the top cover. Then, twist the two ends of the chain onto the top cover and the lamp.



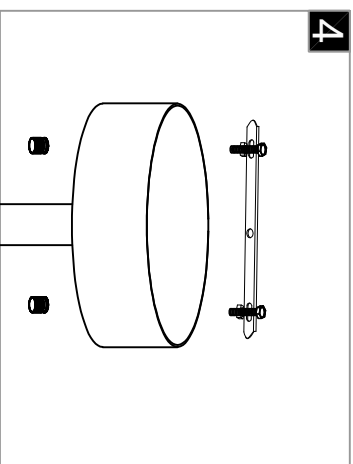
2

First, fix the expansion screws onto the ceiling, and then lock the mounting plate onto the screws.



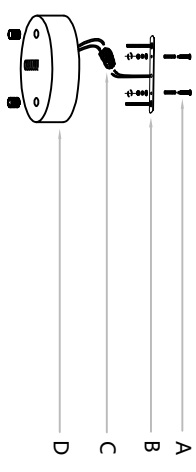
3

Connect the wires inside the luminaire and ceiling to the terminal, usually neutral wire (white), hot wire (black)

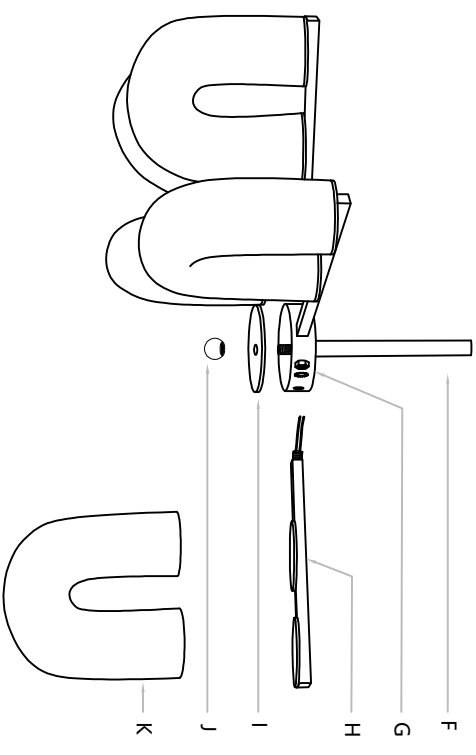


4

Align the bottom holes on the top cover with the screws on the mounting plate, and then tighten them with a wing nut.



A
B
C
D
E



F
G
H
I
J
K

First, install the lamp arm (H) onto the lamp body box (G). Then, connect the wires inside the lamp body box (G) and lead out a long wire. Next, install the lamp body cover (I), then lock it with the light head nut (J). Then, pass the wires inside the lamp body box (G) through the connection rod (F) and the hanging chain (E) and secure them onto the top cover (D). Then, install the connection rod (F) onto the lamp body box (G), and screw the hanging chain (E) onto the lamp body rod (F) and the top cover (D). Finally, attach the U-shaped lamp shade (K) to the lamp arm (H). Then, drive the mounting plate (B) into the ceiling with screws (A). Next, connect the reserved wires and the wires on the ceiling to the terminal block (C). Finally, align the holes at the bottom of the top cover (D) with the screws on the mounting plate, and tighten them with a flower-shaped nut.