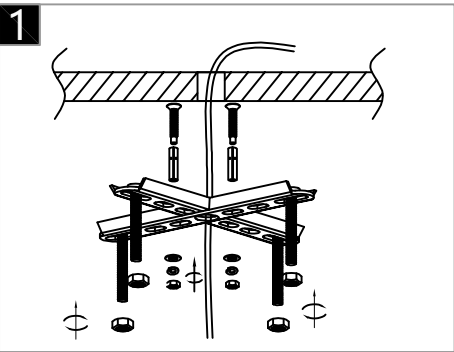


Warning:
This product must be installed by personnel who are familiar with its structure and related hazards, in accordance with the installation specifications. This product is suitable for indoor installation.

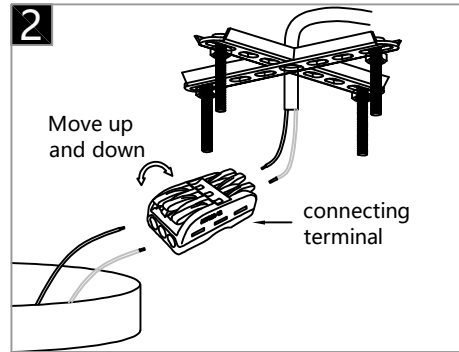


Product style diagram

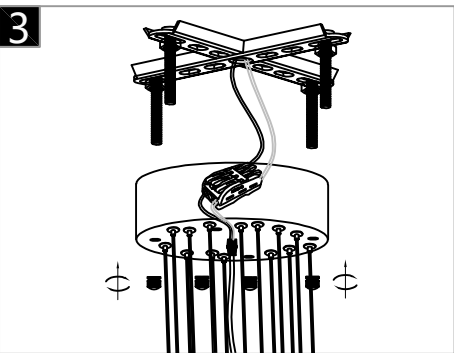
Steps of installation



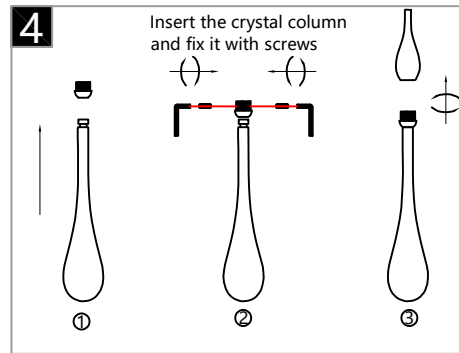
First, fix the expansion screws onto the ceiling, and then lock the mounting plate onto the screws.



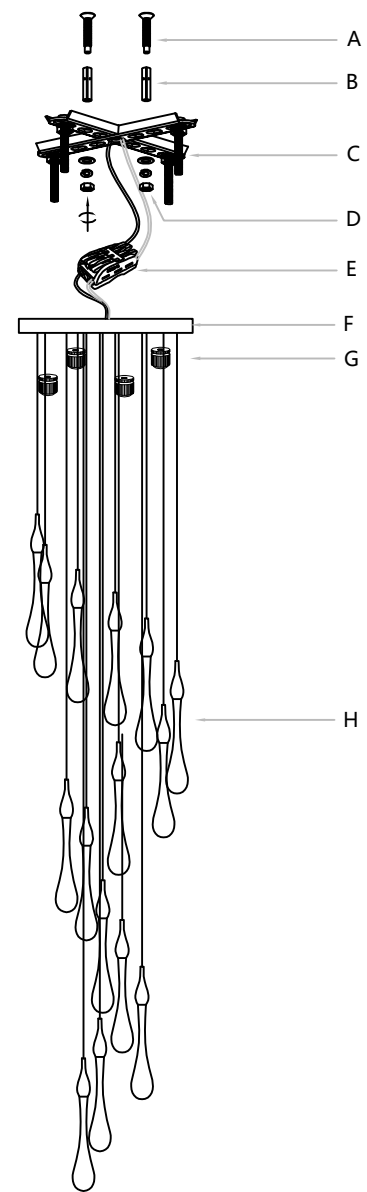
Connect the wires inside the luminaire and ceiling to the terminal, usually neutral wire (white), hot wire (black)



Align the holes on the canopy with the screws on the mounting plate, and then use the wing nut to secure it from the bottom.



Insert the glass column into the iron ring, then fix it from both sides with screws, and then twist it onto the lamp body accessory.



First, fix the pin (B) onto the expansion screw (A) and secure it to the ceiling. Then align the holes of the mounting plate (C) with the expansion screw (A), and fix it at the bottom using nuts and washers. Next, connect the wires on the lamp to the terminal (E), and then align the holes of the lamp cap (F) with the screws on the mounting plate (C). Use a flower-shaped nut (G) to fix the bottom of the cap (F). Finally, install the glass column (H) onto the lamp head in accordance with the diagram.