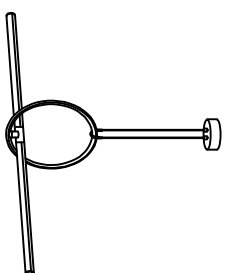


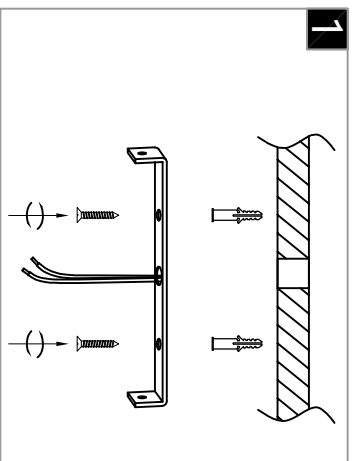
Warning:

This product must be installed by personnel who are familiar with its structure and related hazards, in accordance with the installation specifications. This product is suitable for indoor installation.

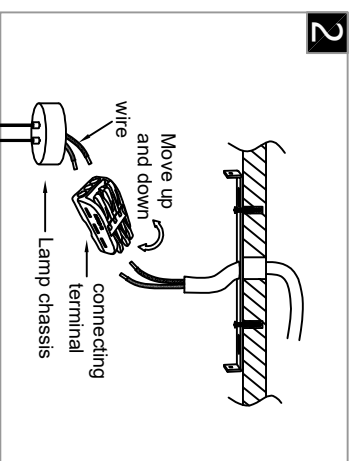


Product style diagram

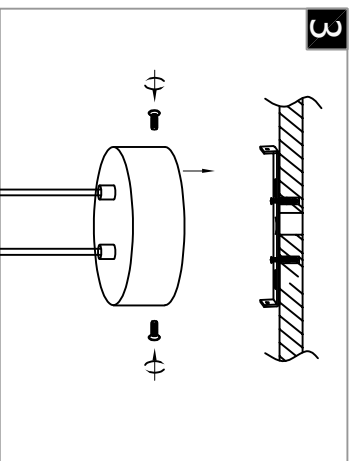
Steps of installation



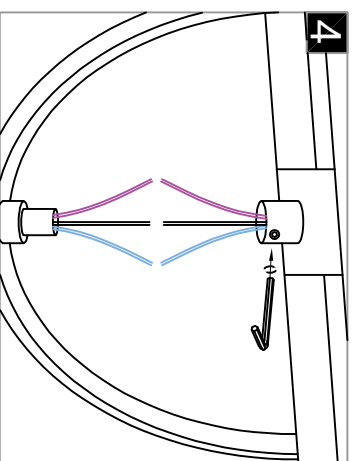
Attach the mounting plate to the ceiling.



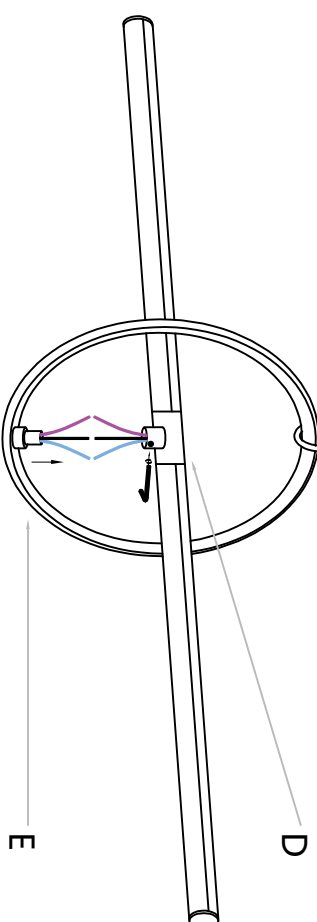
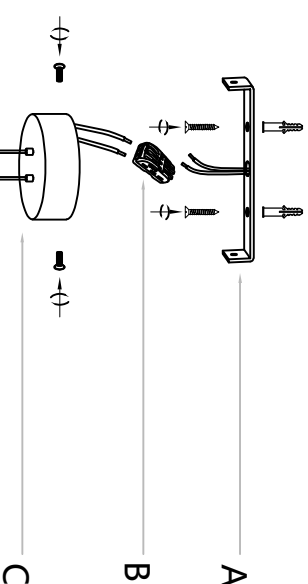
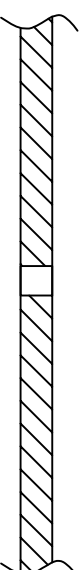
Connect the wires of the top cover to those of the ceiling using the terminal block.



Align the holes of the top cover with those of the mounting plate, and tighten the screws.



Connect the wires of the cylindrical lamp body and the circular lamp body with the same color, and lock the internal hexagonal screws on the cylindrical lamp body with an internal hexagonal wrench.



First, connect the wires of the cylindrical lamp body (D) and the circular lamp body (E) with the same color, and lock the internal hexagonal screws on the cylindrical lamp body (D) with an internal hexagonal wrench. Then, fix the base plate (A) to the ceiling. Next, use the terminal block (B) to connect the wires of the top cover (C) to the wires on the ceiling. Then, align the holes of the top cover (C) with those of the base plate (A), and tighten the screws.