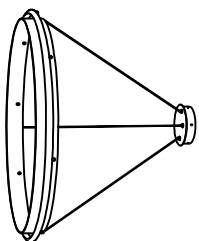
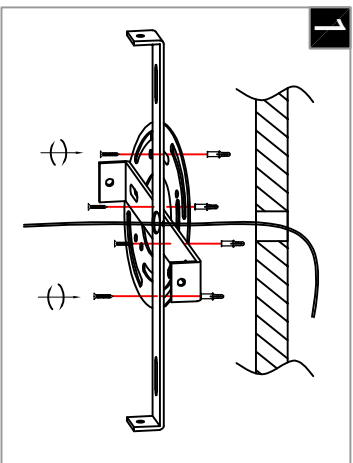


Warning:

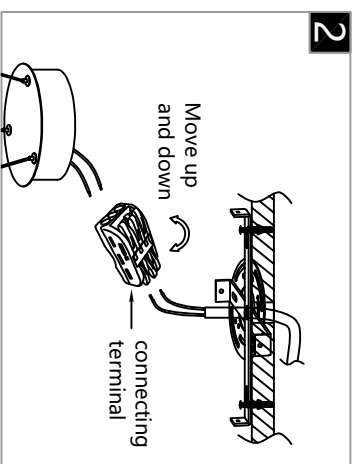
This product must be installed by personnel who are familiar with its structure and related hazards, in accordance with the installation specifications. This product is suitable for indoor installation.



Steps of installation

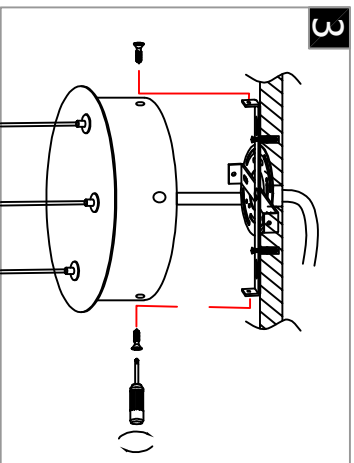


Attach the mounting plate to the ceiling with self-tapping screws.

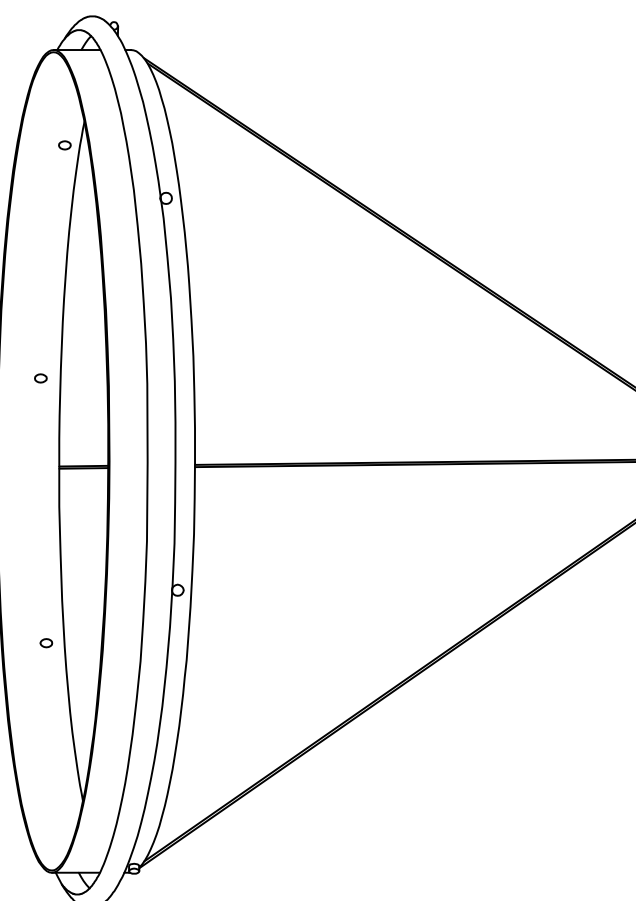
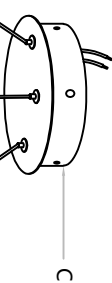
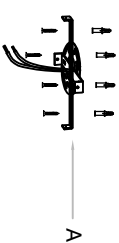


Connect the wires inside the luminaire and ceiling to the terminal, usually neutral wire (white), hot wire (black)

Product style diagram



Align the holes on the top cover with the holes on the mounting plate, and then secure them with screws.



Fix the mounting plate (A) to the ceiling using self-tapping screws. Then connect the top cover (C) and the reserved wires on the ceiling to the terminal block (B). Next, align the screw holes on the top cover (C) with the holes on the mounting plate (A), and then secure them with screws.