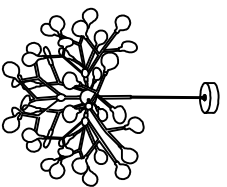
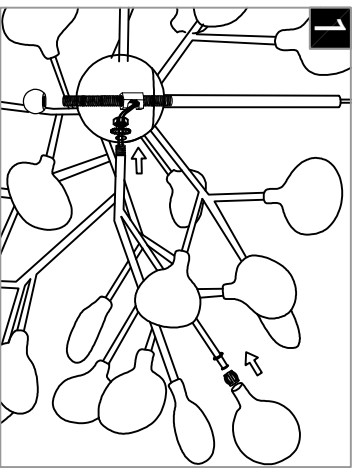


Warning:

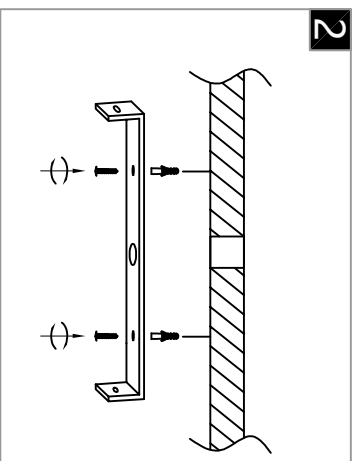
This product must be installed by personnel who are familiar with its structure and related hazards, in accordance with the installation specifications. This product is suitable for indoor installation.



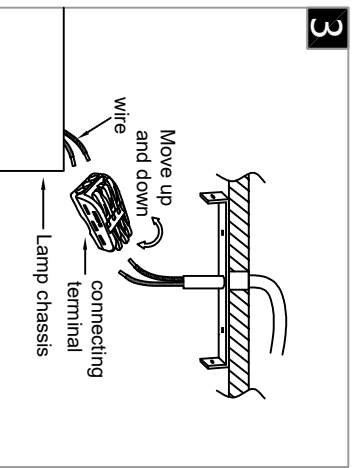
Product style diagram



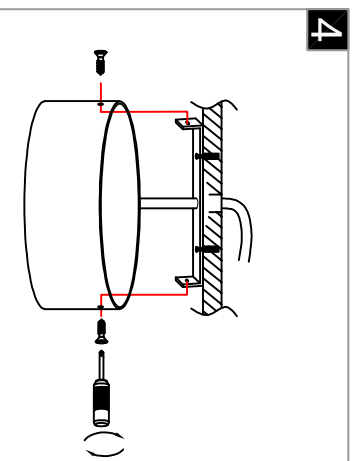
1 Attach the ball to the circular decorative piece, then insert it into the lamp arm bracket, then install the lamp arm bracket onto the lamp body ball, and finally screw the connecting rod onto the lamp body ball.



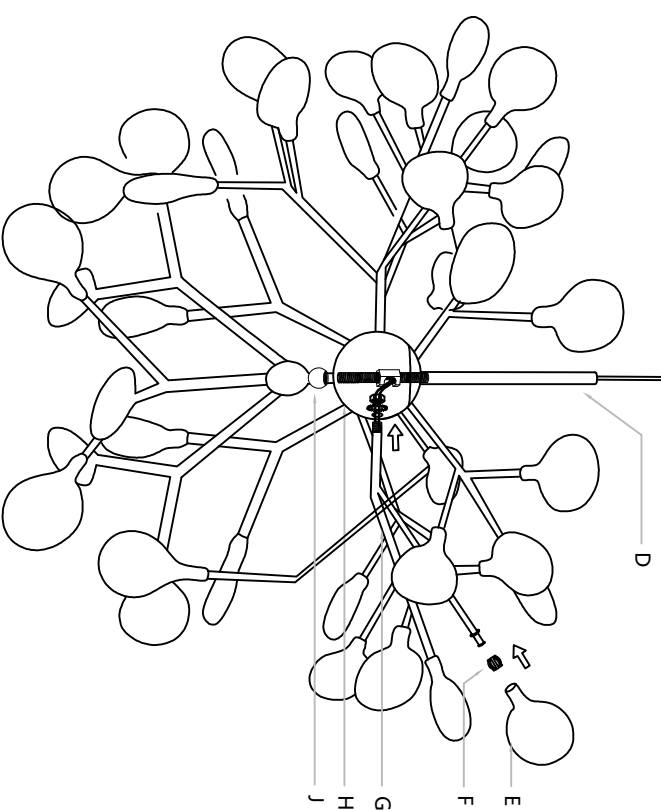
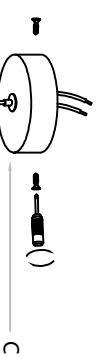
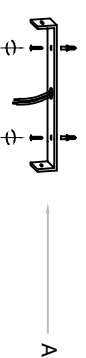
2 Fix the installation board to the ceiling using self-tapping screws.



3 Connect the wires to the terminal blocks. Usually, the neutral wire (white) and the live wire (black).



4 Align the holes on the top cover with the holes on the mounting plate, and then secure them with screws.



Install the lamp arm bracket (G) onto the lamp body ball (H), then lock it with a round nut (J). Next, connect the wires by color and pass them through the connecting rod (D) and place them on the top cover (C). Then, screw the connecting rod (D) onto the lamp body ball (H), and finally install the card ball (F) onto the circular decorative piece (B) and insert it into the lamp arm bracket (G). Fix the mounting plate (A) to the ceiling. Next, connect the wires reserved on the top cover (C) to the wires on the ceiling, and then connect them to the terminal block (B). Then align the holes on the top cover (C) with the holes on the mounting plate (A), and tighten the screws.