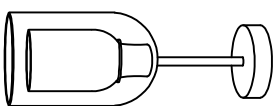


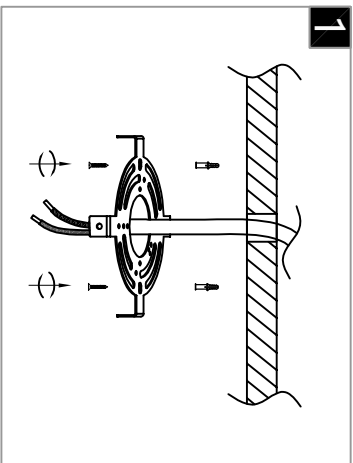
Warning:

This product must be installed by personnel who are familiar with its structure and related hazards, in accordance with the installation specifications. This product is suitable for indoor installation.

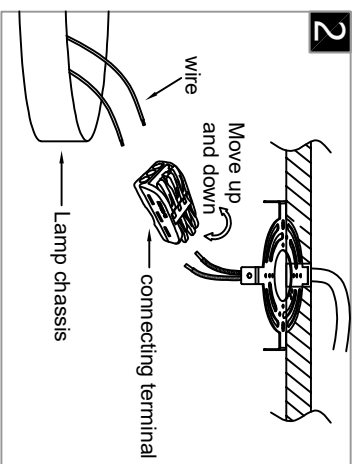


Steps of installation

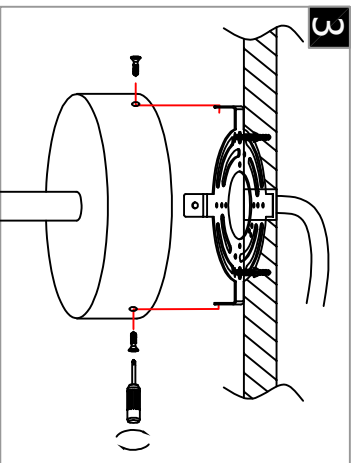
Product style diagram



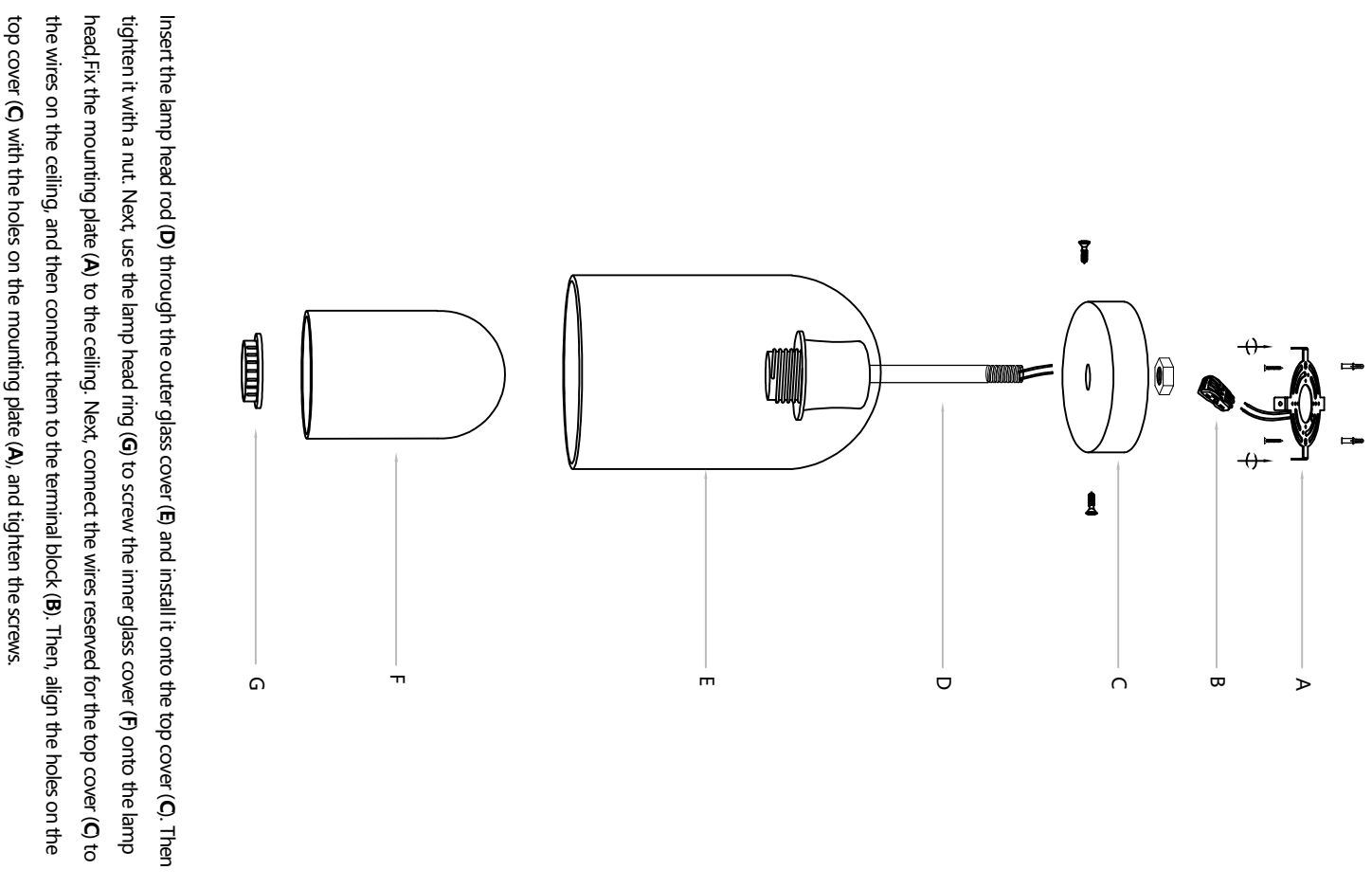
1 Install the T-shaped bracket onto the main body of the lamp, and then secure it with screws.



2 Connect the wires inside the luminaire and ceiling to the terminal, usually neutral wire (white), hot wire (black)



3



Insert the lamp head rod (D) through the outer glass cover (E) and install it onto the top cover (C). Then tighten it with a nut. Next, use the lamp head ring (G) to screw the inner glass cover (F) onto the lamp head. Fix the mounting plate (A) to the ceiling. Next, connect the wires reserved for the top cover (C) to the wires on the ceiling, and then connect them to the terminal block (B). Then, align the holes on the top cover (C) with the holes on the mounting plate (A), and tighten the screws.