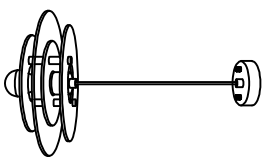


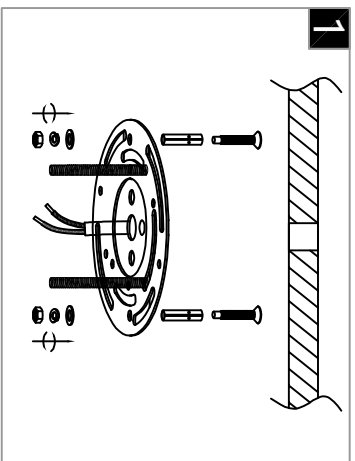
Warning:

This product must be installed by personnel who are familiar with its structure and related hazards, in accordance with the installation specifications. This product is suitable for indoor installation.

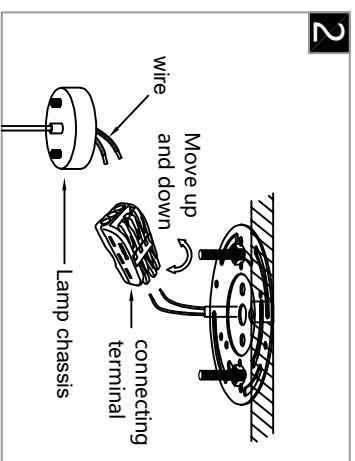


Product style diagram

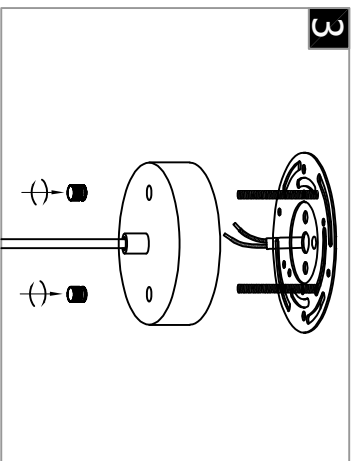
Steps of installation



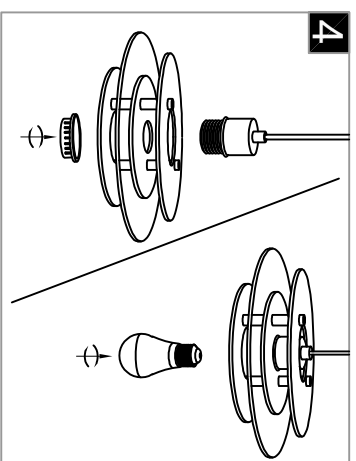
Fix the expansion screws onto the ceiling, and then lock the mounting plate onto the screws.



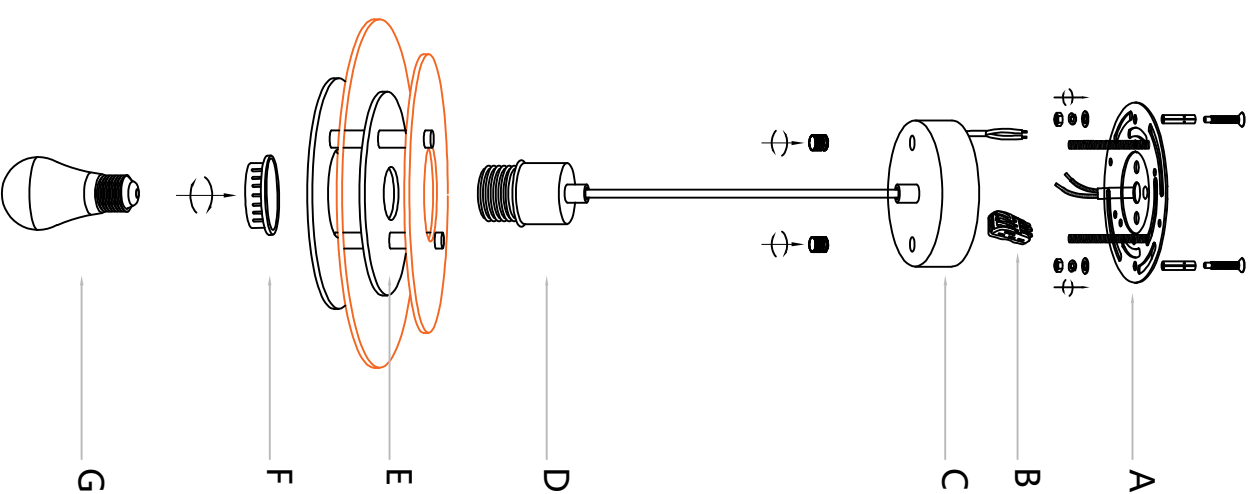
Connect the wires inside the luminaire and ceiling to the terminal, usually neutral wire (white), hot wire (black)



Align the top cover hole position on the luminaire with the screws on the mounting plate and then secure from the bottom using the nut.



Align the threads of the lamp cap with the holes of the lamp body, and tighten the nut. Finally, install the bulb on the lamp cap.



First, install the mounting plate (A) with the removed top cover (C) onto the ceiling. Next, connect the wires of the top cover (C) and the wires of the ceiling using terminal blocks (B). Then, align the holes of the top cover (C) with the threaded rod of the mounting plate (A) and tighten the nut. After that, align the threads of the lamp cap (D) with the holes of the lamp body (E), and tighten the nut (F). Finally, install the bulb (G) on the lamp cap (D).