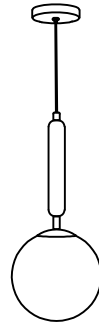
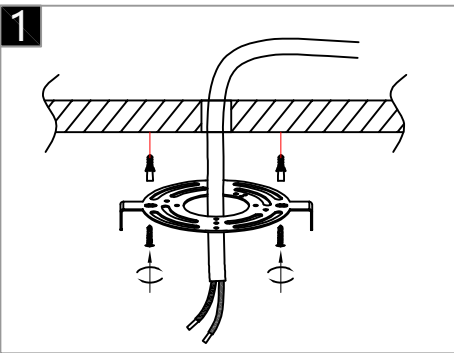


Warning:
This product must be installed by personnel who are familiar with its structure and related hazards, in accordance with the installation specifications. This product is suitable for indoor installation.

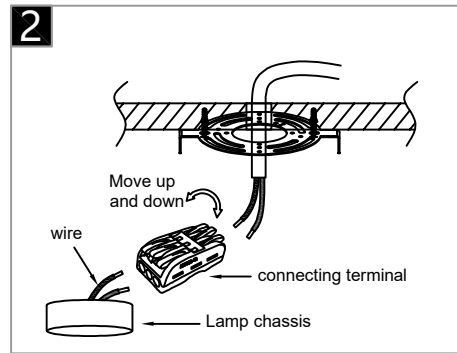


Product style diagram

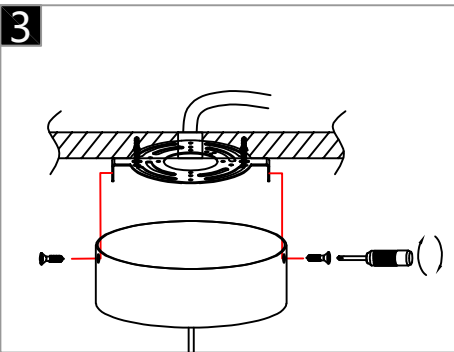
Steps of installation



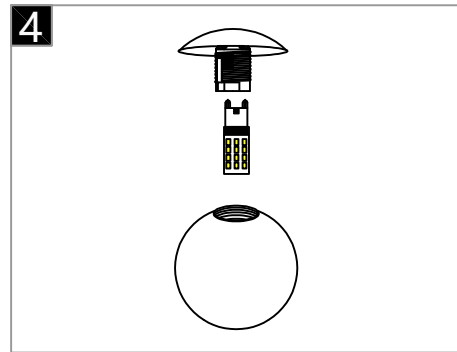
Fix the mounting plate to the ceiling using self-tapping screws.



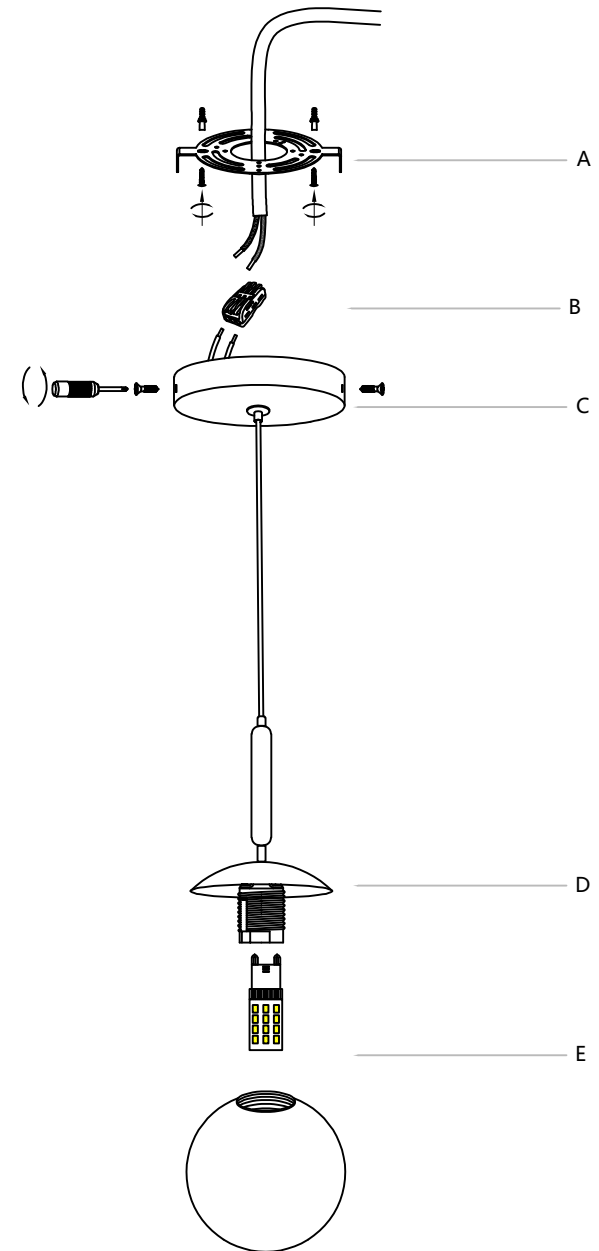
Connect the wires inside the luminaire and ceiling to the terminal, usually neutral wire (white), hot wire (black)



Align the holes on the top cover with the holes on the mounting plate, and then secure them with screws.



First plug the G9 light source into the lamp holder, and then twist the lamp holder with the lampshade.



Fix the mounting plate (A) to the ceiling using self-tapping screws. Then connect the wires inside the top cover (C) to the wires on the ceiling and to the terminal block (B). Align the screw holes on the top cover (C) with the holes on the mounting plate (A), and secure them with screws. Next, install the light source onto the lamp head cover (D), and then tighten the glass cover (E).