

**Warning:**

This product must be installed by personnel who are familiar with its structure and related hazards, in accordance with the installation specifications. This product is suitable for indoor installation.

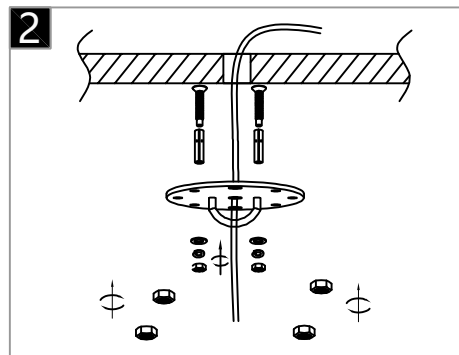


Product style diagram

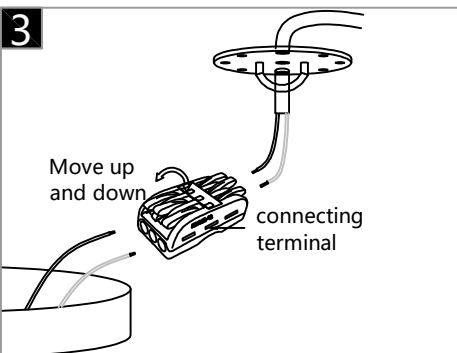
**Steps of installation**



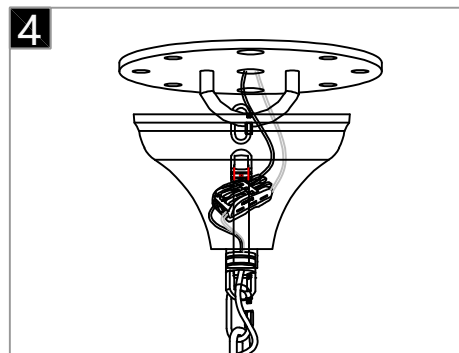
Fix the connecting rod to the lamp body and the suspension wire, and then install the suspension wire onto the top cover.



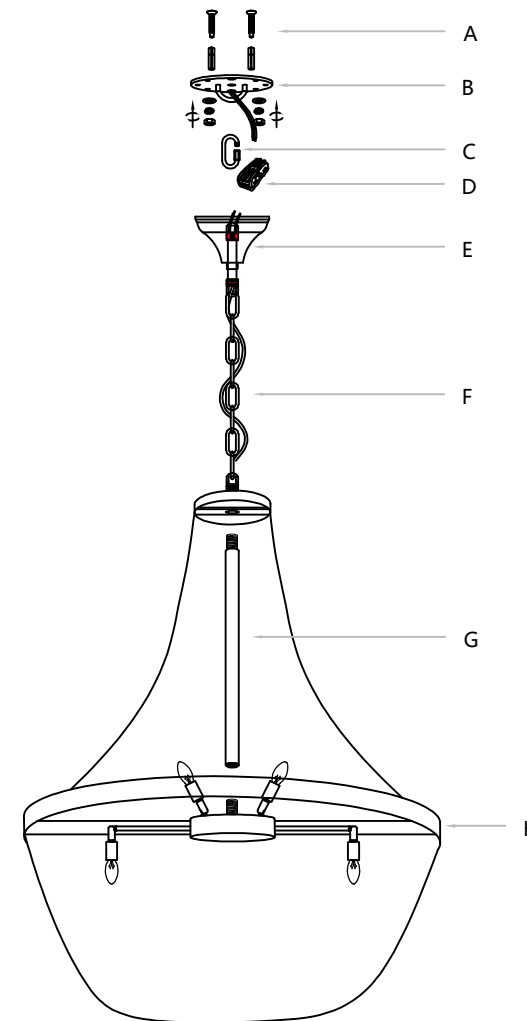
First, fix the expansion screws onto the ceiling, and then lock the mounting plate onto the screws.



Connect the wires inside the luminaire and ceiling to the terminal, usually neutral wire (white), hot wire (black)



Lock the clasp to the hook on the lamp cover and mounting plate, then tighten the screws



First, attach the lamp body connecting rod (G) to the lamp stand (H) and the chain (F), insert the iron nail into the screw (A), and then screw it into the ceiling. Next, use screws and washers to fix the mounting plate (B) to the screws on the ceiling. Then, assemble the lamp body frame according to the corresponding dimensions. Then, pass the wires through the chain (F) and the reserved openings (E) on the top cover. Then, fix the safety button (C) on the top cover (E) to the hook on the mounting plate (B). Then, connect the wires on the top cover (E) and the wires on the ceiling to the junction box (D). Finally, lift the top cover (E) upwards and tighten the bottom screws.