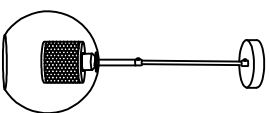


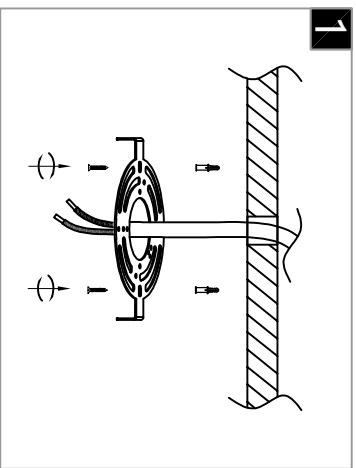
Warning:

This product must be installed by personnel who are familiar with its structure and related hazards, in accordance with the installation specifications. This product is suitable for indoor installation.



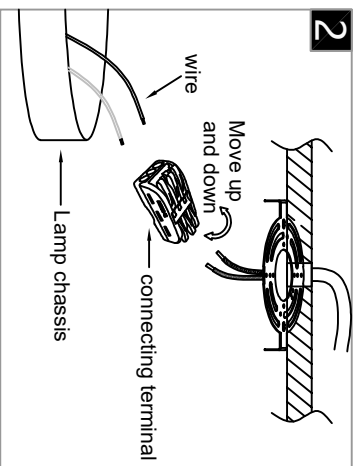
Product style diagram

Steps of installation



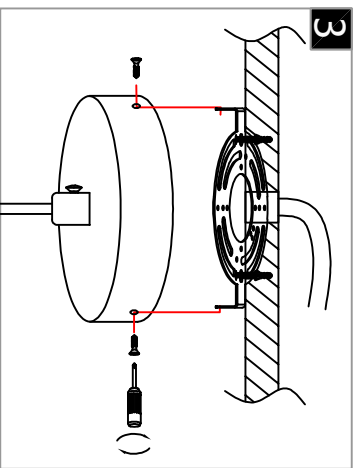
1

Install the T-shaped bracket onto the main body of the lamp, and then secure it with screws.



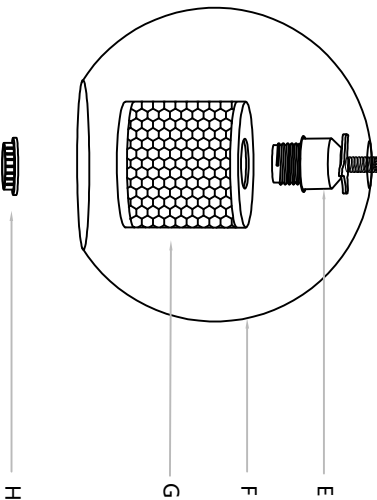
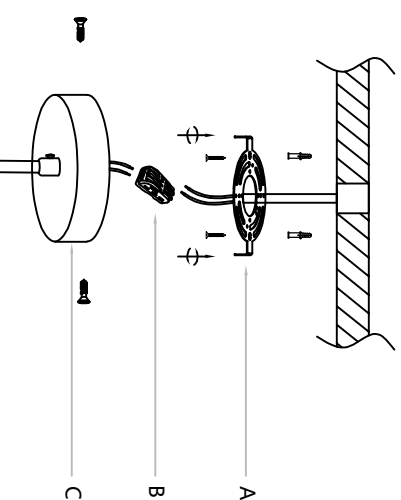
2

Connect the wires inside the luminaire and ceiling to the terminal, usually neutral wire (white), hot wire (black)



3

Align the two holes on the top cover of the lamp with the holes on the installation plate on the ceiling, and then secure them with screws.



First, install the honeycomb lampshade (G) onto the lamp base (E), then use the lamp base ring (H) to secure it.

Next, pass the lamp base through the glass cover (F) and lock it onto the connecting rod (D). Fix the mounting plate (A) to the ceiling. Next, connect the wires reserved for the top cover (C) to the wires on the ceiling, and then connect them to the terminals (B). Then, align the holes on the top cover (C) with the holes on the mounting plate (A), and tighten the screws.