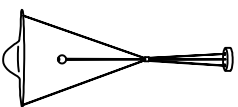
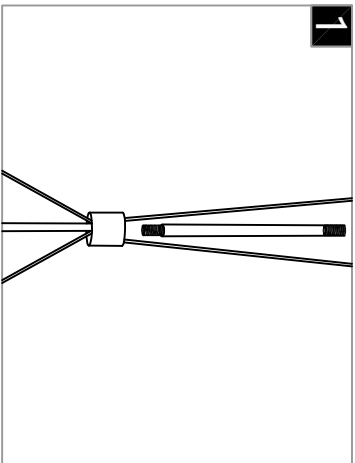


**Warning:**  
This product must be installed by personnel who are familiar with its structure and related hazards, in accordance with the installation specifications. This product is suitable for indoor installation.

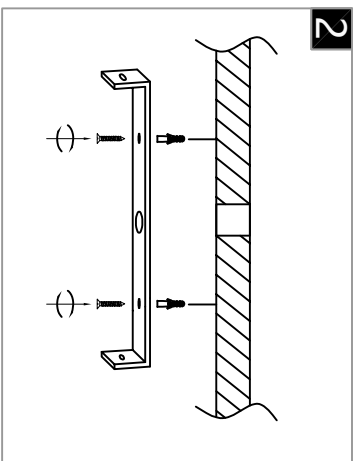


Product style diagram

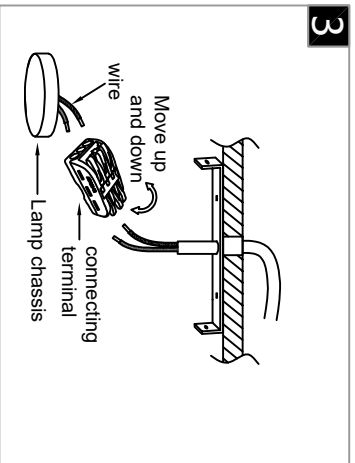
## Steps of installation



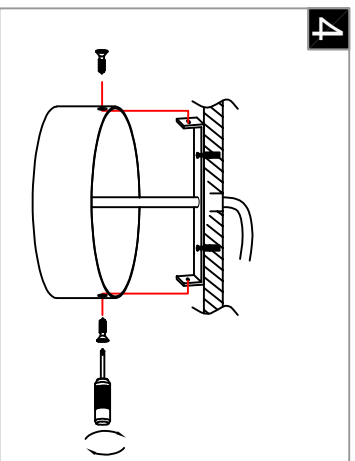
**1** Pass the steel wire rope through the glass disc, then through the aluminum part of the lamp body, and install it onto the top cover. Next, assemble the threaded connecting rods together and screw them onto the aluminum part of the lamp body, and then screw the other end onto the top cover.



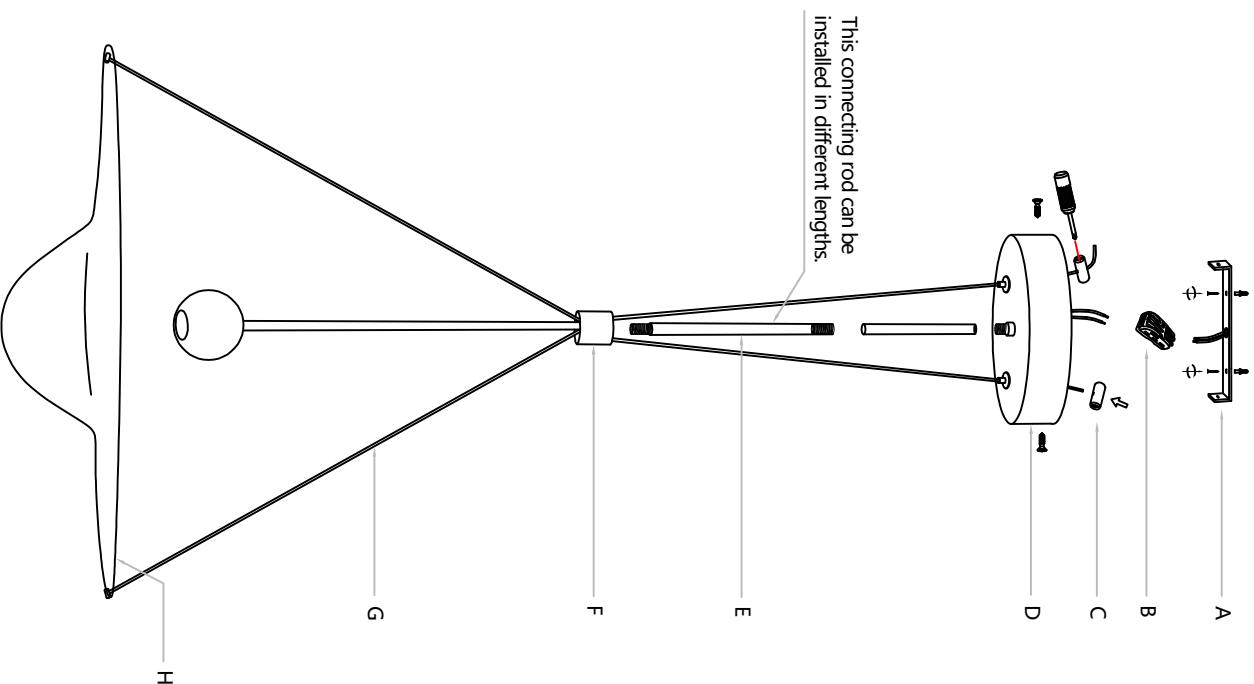
**2** Attach the mounting plate to the ceiling with self-tapping screws.



**3** Connect the wires inside the luminaire and ceiling to the terminal, usually neutral wire (white), hot wire (black)



**4** Align the holes on the top cover with the holes on the mounting plate, and then secure them with screws.



Pass the steel wire rope (**G**) through the glass plate (**H**), then through the aluminum part of the lamp body (**F**), and install it onto the top cover (**D**). Next, adjust the length of the steel wire (**G**), then use the locking iron piece (**C**) to fix the steel wire (**G**) onto the top cover (**D**). Then, assemble the threaded connecting rod (**E**) together and screw it onto the lamp body aluminum part (**F**), and screw the other end onto the top cover (**D**). Next, fix the mounting plate (**A**) onto the ceiling. Then, connect the reserved wires on the top cover (**D**) to the terminal block (**B**). Finally, align the holes on the top cover (**D**) with the holes on the mounting plate (**A**), and secure them with screws.