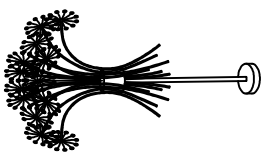


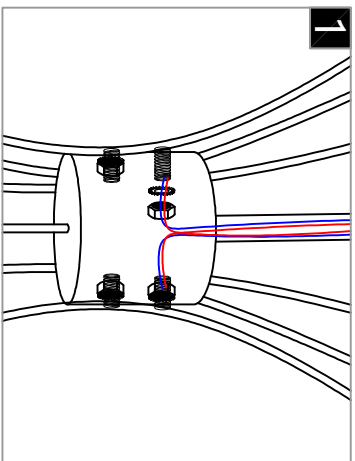
Warning:

This product must be installed by personnel who are familiar with its structure and related hazards, in accordance with the installation specifications. This product is suitable for indoor installation.

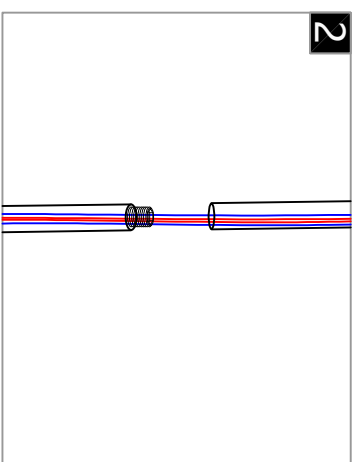


Product style diagram

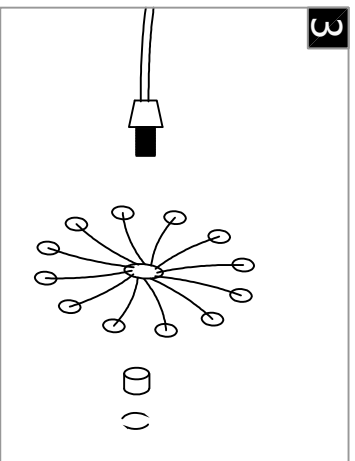
Steps of installation



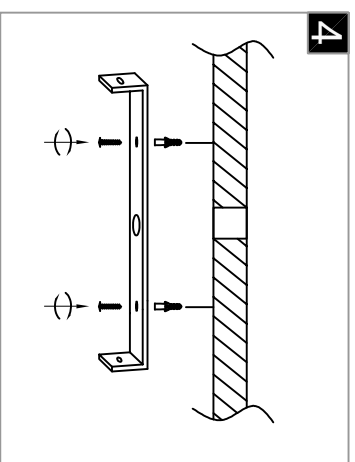
First, install the two types of lamp arm brackets.



Pass the wires through the connection rods of the lamp body, and then fix the connection rods together.

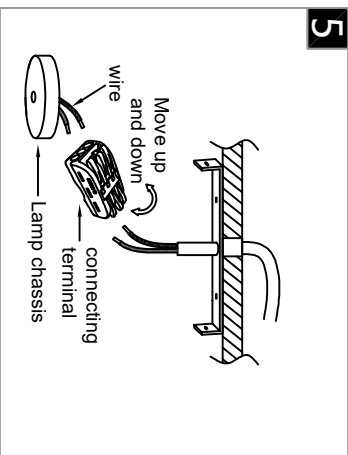


Fix the decorative petals with light rings onto the light head.



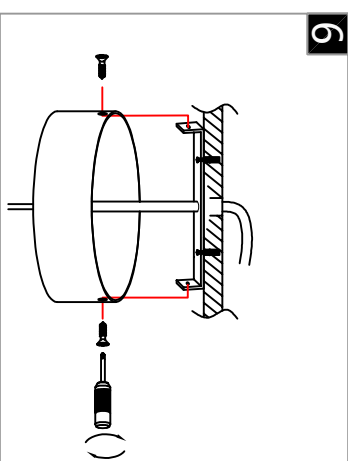
Attach the mounting plate to the ceiling with self-tapping screws.

5

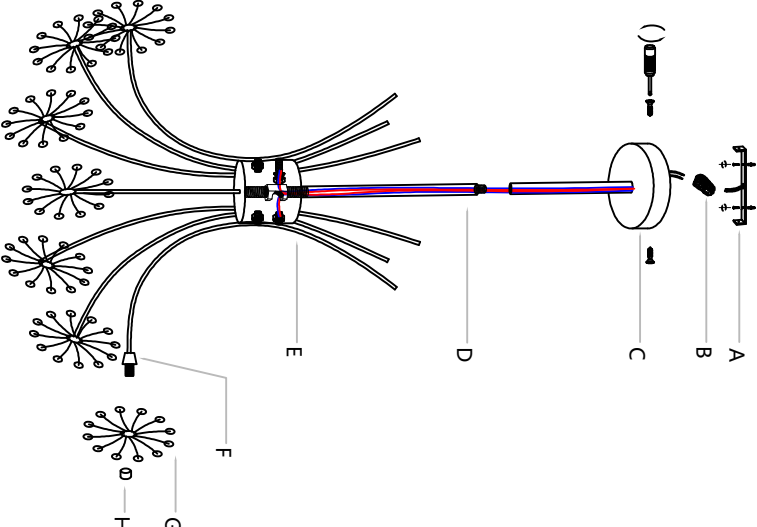


Connect the wires inside the luminaire and ceiling to the terminal, usually neutral wire (white), hot wire (black)

6



Align the holes on the top cover with the holes on the mounting plate, and then secure them with screws.



First, install the lamp arm bracket (B) onto the lamp body. Then, thread the wires through the lamp body connecting rod (D). Next, connect the lamp body connecting rod (D) together in an up-and-down manner. Finally, install the decorative petals (G) onto the lamp cap (F), and then fix it with the lamp ring (H), then fix the mounting plate (A) to the ceiling, then connect the wires reserved for the top cover (C) and the wires on the ceiling to the terminal (B), then align the hole position on the side of the top cover (C) with the hole position on the mounting plate (A), and then tighten the screws.