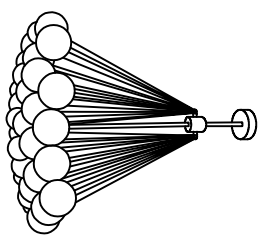


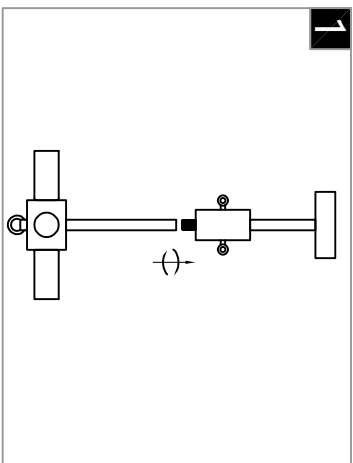
Warning:

This product must be installed by personnel who are familiar with its structure and related hazards, in accordance with the installation specifications. This product is suitable for indoor installation.

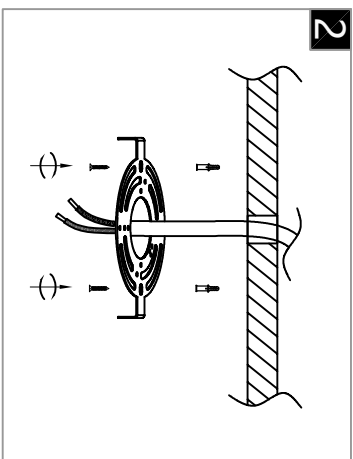


Product style diagram

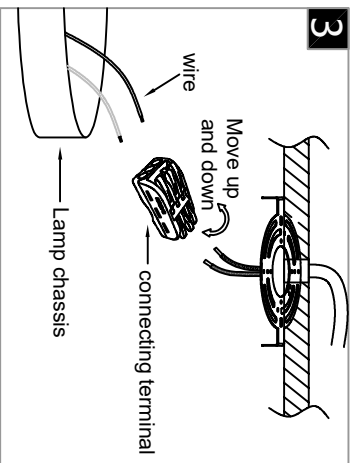
Steps of installation



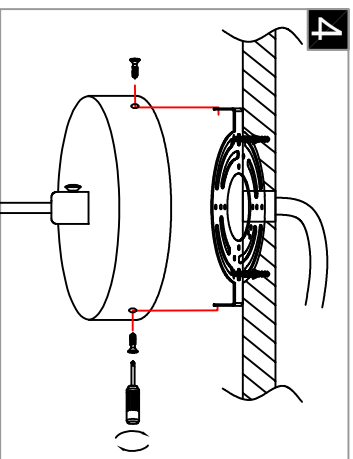
1 Connect the lamp body connecting rods together.



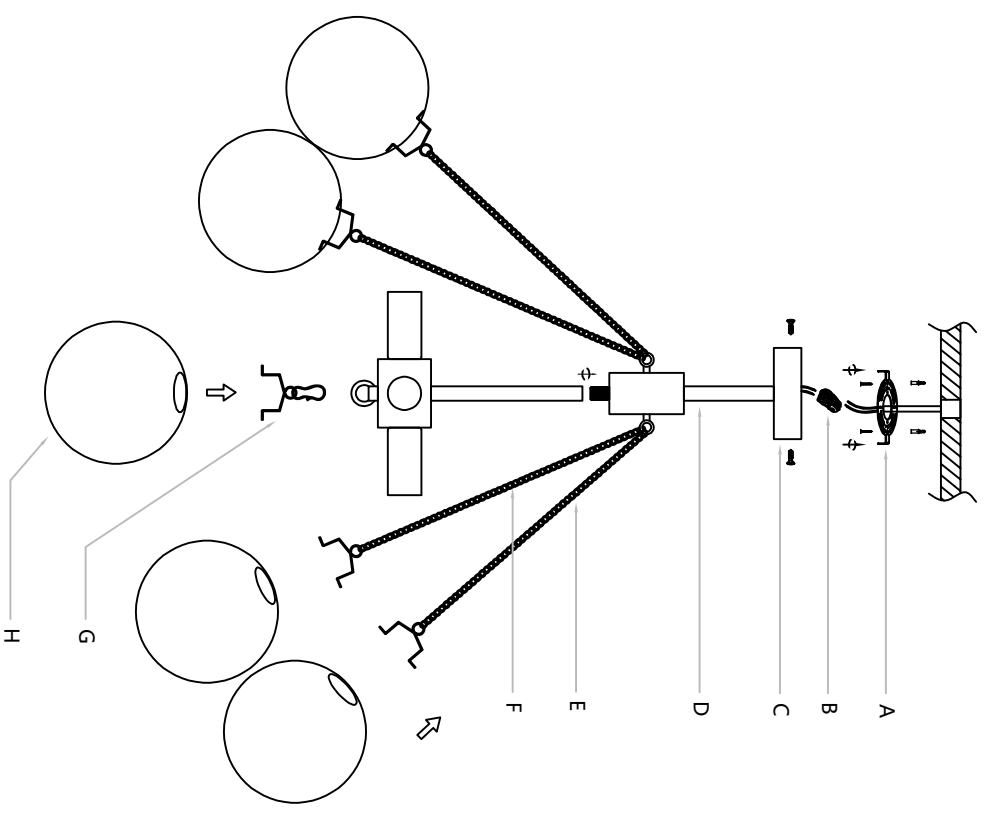
2 Install the T-shaped bracket onto the main body of the lamp, and then secure it with screws.



3 Connect the wires inside the luminaire and ceiling to the terminal, usually neutral wire (white), hot wire (black)



4 Align the two holes on the top cover of the lamp with the holes on the installation plate on the ceiling, and then secure them with screws.



Connect the lamp body connecting rods (D) together. Fix the mounting plate (A) to the ceiling. Next, connect the wires reserved on the top cover (C) to the wires on the ceiling, and then connect them to the junction box (B). Finally, align the holes on the top cover (C) with the holes on the mounting plate (A), and then tighten the screws. Then hang the hook (G) at the bottom of the lamp body, then hang the glass ball (H) onto the hook (G), then hang the No. 2 chain (F) onto the three rings on the lamp body (D), then hang six glass balls (H), then hang the No. 3 chain(E), and then hang six glass balls (H). The subsequent chains should also be hung in the same sequence.