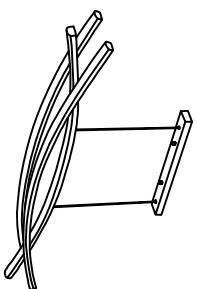


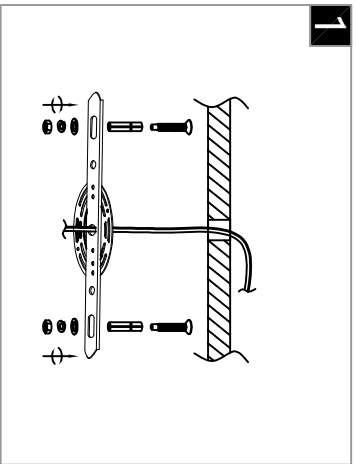
Warning:

This product must be installed by personnel who are familiar with its structure and related hazards, in accordance with the installation specifications. This product is suitable for indoor installation.

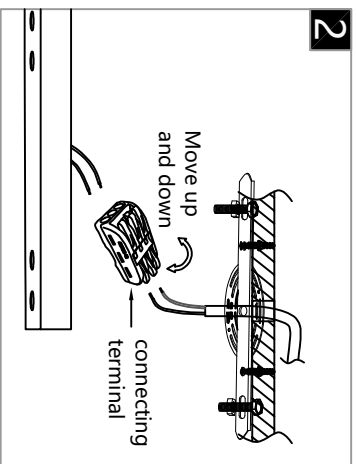


Product style diagram

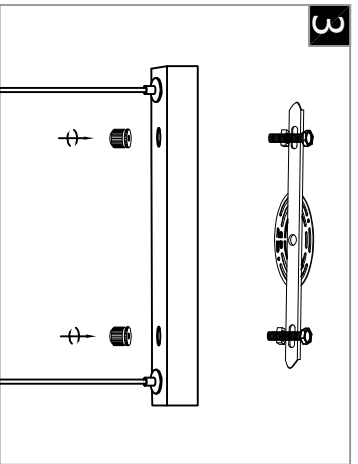
Steps of installation



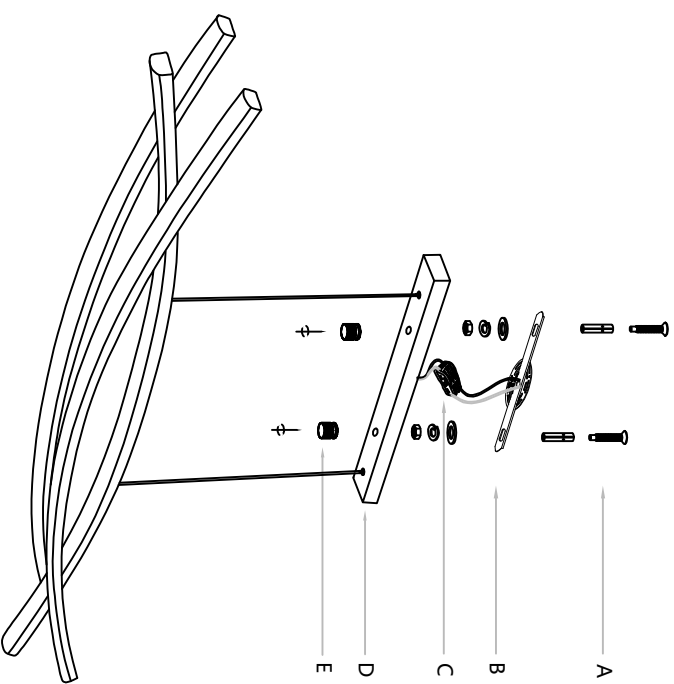
fix the expansion screws onto the ceiling, and then lock the mounting plate onto the screws.



Connect the wires inside the luminaire and ceiling to the terminal, usually neutral wire (white), hot wire (black)



Align the top cover hole position on the luminaire with the screws on the mounting plate and then secure from the bottom using the nut.



Put the iron pin into the iron sleeve (A), then drive it into the ceiling. Next, fix the mounting plate (B) to the ceiling. Then connect the reserved wires on the top cover (D) to the terminal block (C) on the ceiling. After that, align the bottom hole of the top cover (D) with the screws on the mounting plate (B), and then tighten it with a wing nut (E).