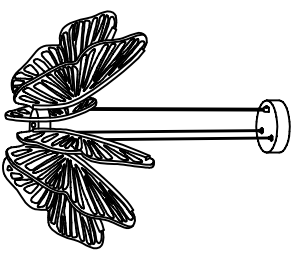
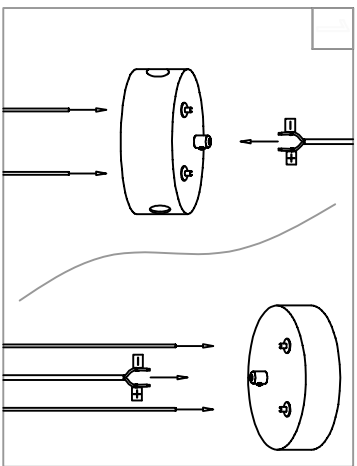


**Warning:**  
This product must be installed by personnel who are familiar with its structure and related hazards, in accordance with the installation specifications. This product is suitable for indoor installation.

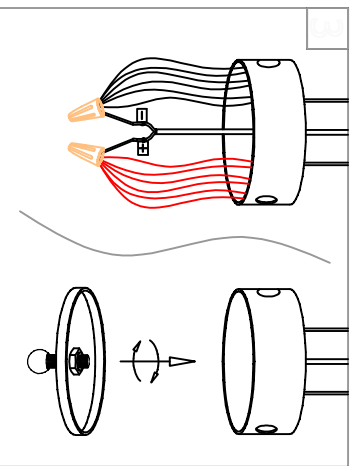


Product style diagram

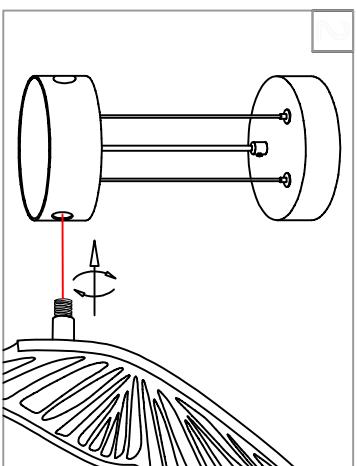
Steps of installation



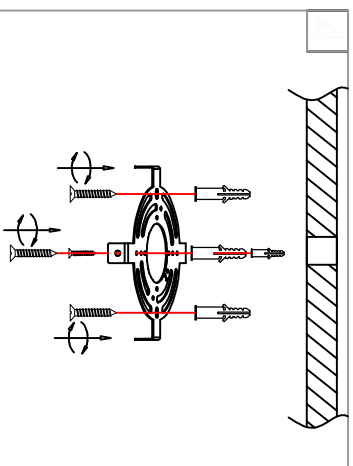
Thread the wire from the outside of the disc, through the screw-fixed device, and tighten the screw. Then, thread the steel wire from the inside of the disc, out of the telescopic fixator, and the other end through the fixator of the disc.



Connect the red wire within the disc to the positive pole, and the white wire to the negative pole. Next, use the flat cover to seal the disc, and turn the ball nut to lock it in place.



Align the threaded tube of wiring with the hole on the side of disc, and tighten the nut.

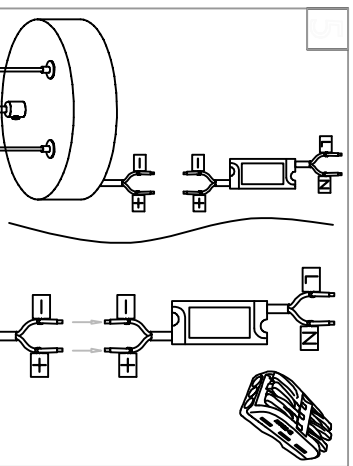
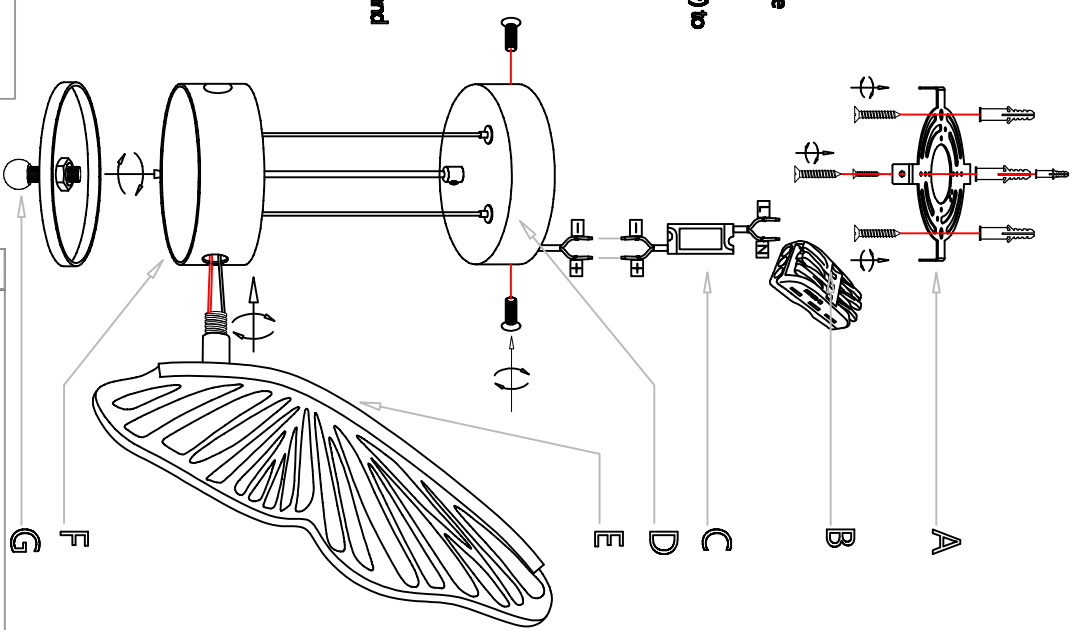


Attach the mounting plate to the ceiling.

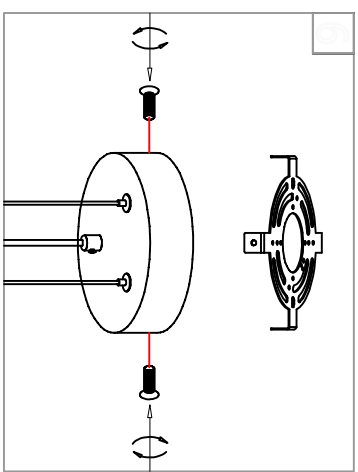
First, thread the wire from the outside of the disc ( 1) through the screw-fixed device, and tighten the screw. Then,

thread the steel wire from the inside of the disc ( 2) out of the telescopic fixator, and the other end through the fixator of the disc ( 3). Next, align the threaded tube of wiring ( 4) with the hole on the side of disc ( 5), and tighten the nut. Then,

connect the red wire within the disc ( 6) to the positive pole, and the white wire to the negative pole. Next, use the flat cover ( 7) to seal the disc ( 8), and turn the ball nut to lock it in place. Next, attach the mounting plate ( 9) to the ceiling. Then, connect the positive and negative terminals of the power supply ( 10) with those of the wires inside the disc ( 11), and then use the quick connector ( 12) to connect the neutral wire, live wire of the power supply ( 13) and the wires of the ceiling. Next, align the holes on the side of the disc ( 14) with the holes on the side of the mounting plate, then tighten the screws.



Connect the positive and negative terminals of the power supply with those of the wires inside the disc, and then use the quick connector to connect the neutral wire, live wire of the power supply, and the wires of the ceiling.



Align the holes on the side of the disc with the holes on the side of the mounting plate, then tighten the screws.