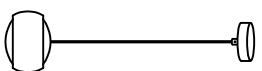


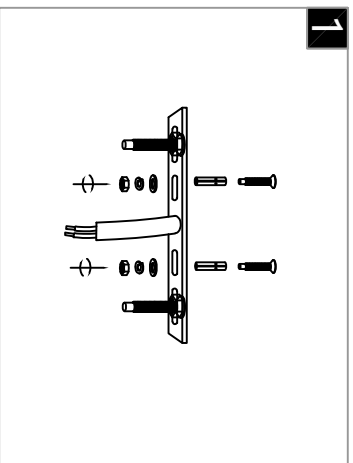
Warning:

This product must be installed by personnel who are familiar with its structure and related hazards, in accordance with the installation specifications. This product is suitable for indoor installation.

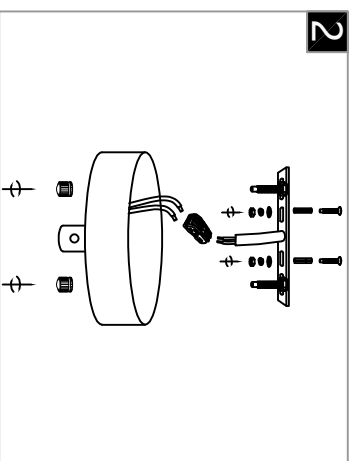


Product style diagram

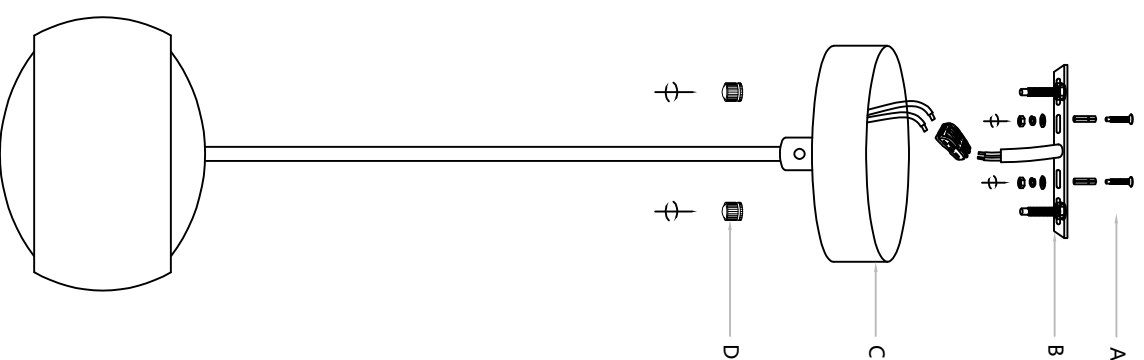
Steps of installation



First, fix the expansion screws onto the ceiling, and then lock the mounting plate onto the screws.



Connect the wires inside the luminaire and ceiling to the terminal, usually neutral wire (white), hot wire (black). Align the bottom holes on the top cover with the screws on the mounting plate, and then tighten them with a wing nut.



First, use self-tapping screws to fix the mounting plate (A) to the wall. Then, connect the reserved wires on the lamp body (C) with the reserved wires on the wall and the junction box (B). Finally, install the lamp body (C) onto the mounting plate (A).