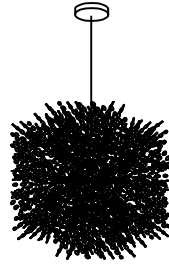
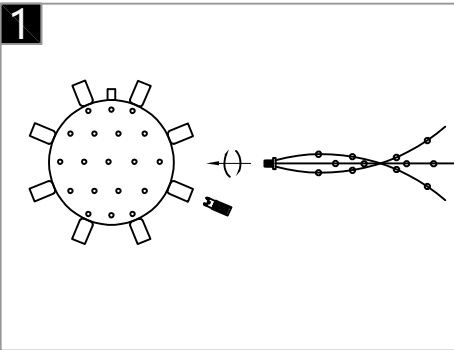


Warning:
This product must be installed by personnel who are familiar with its structure and related hazards, in accordance with the installation specifications. This product is suitable for indoor installation.

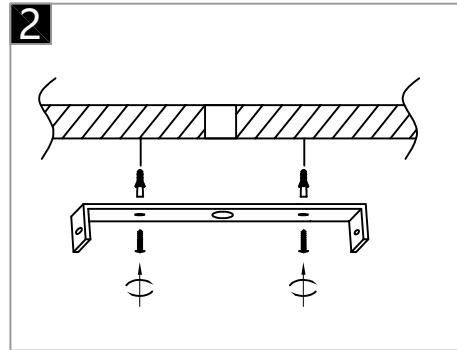


Product style diagram

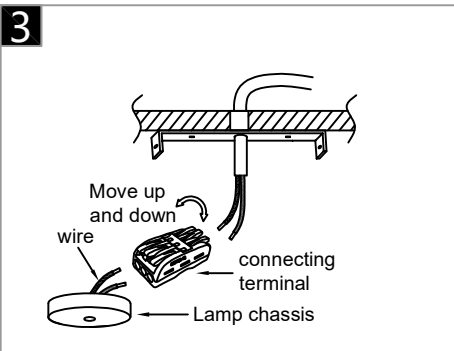
Steps of installation



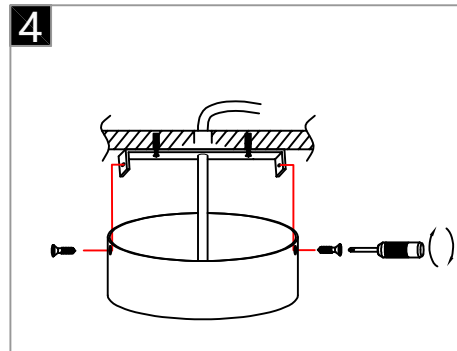
First, install the light source. Then, screw the decorative strip onto the internal threaded rod, and then attach it to the lamp body.



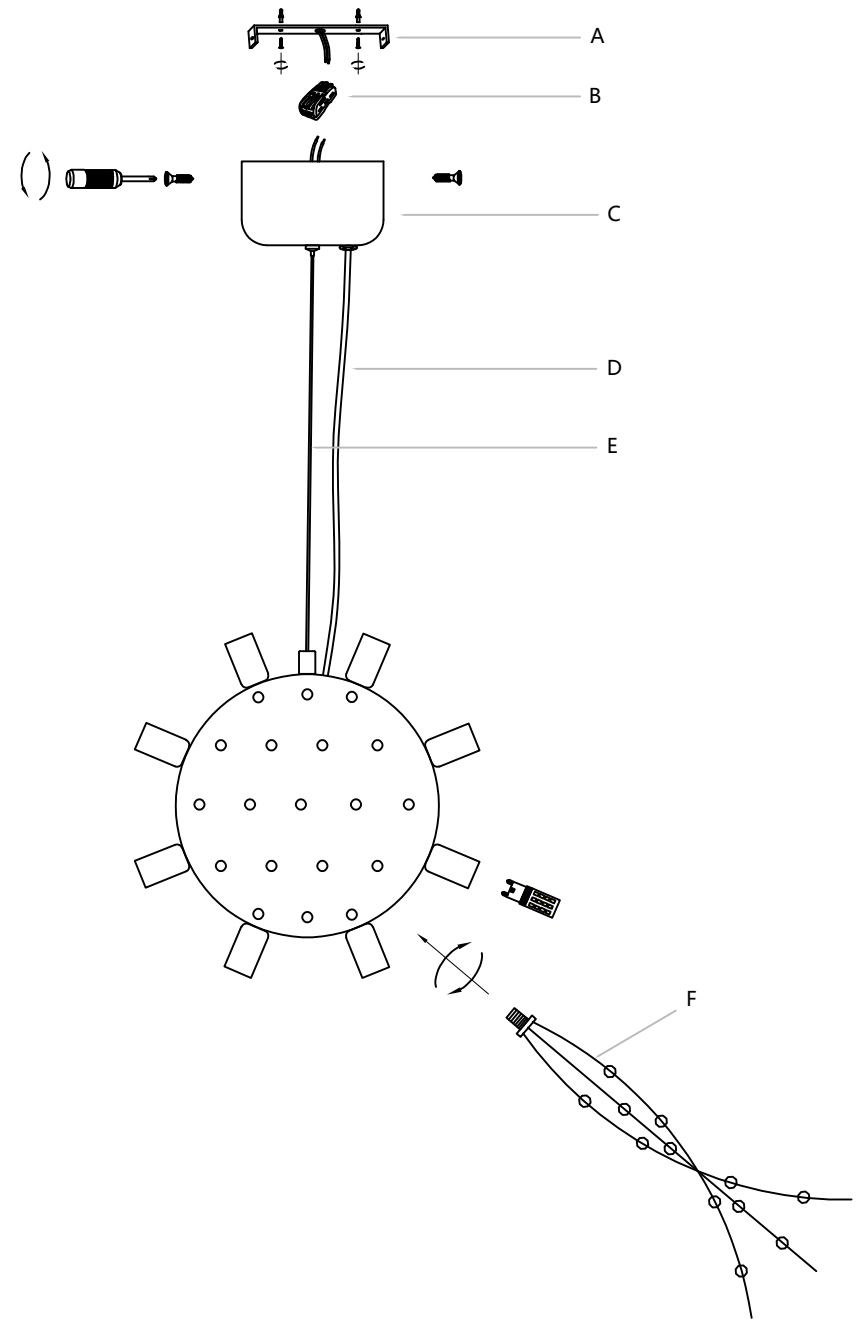
Attach the mounting plate to the ceiling with self-tapping screws.



Connect the wires inside the luminaire and ceiling to the terminal, usually neutral wire (white), hot wire (black)



Align the holes on the top cover with the holes on the mounting plate, and then secure them with screws.



First, install the wires (D) and the steel wire (E) onto the top cover (C). Then install the light source. Next, attach the decorative strip (F) to the lamp body. After that, fix the mounting plate (A) to the ceiling. Then connect the wires reserved for the top cover (C) to the wires on the ceiling to the terminal block (B). Next, align the hole on the top cover (C) with the hole on the mounting plate (A), and then tighten the screws.