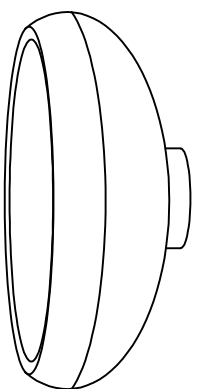


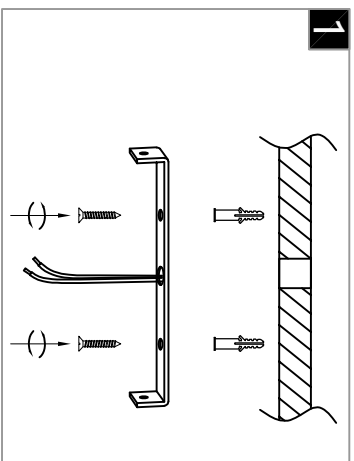
Warning:

This product must be installed by personnel who are familiar with its structure and related hazards, in accordance with the installation specifications. This product is suitable for indoor installation.

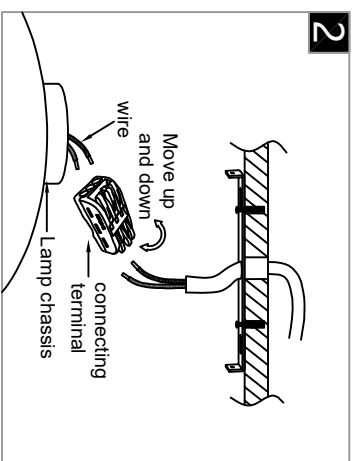


Product style diagram

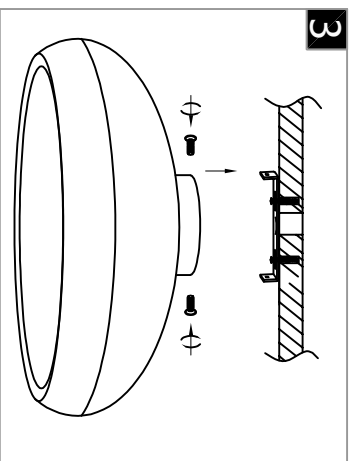
Steps of installation



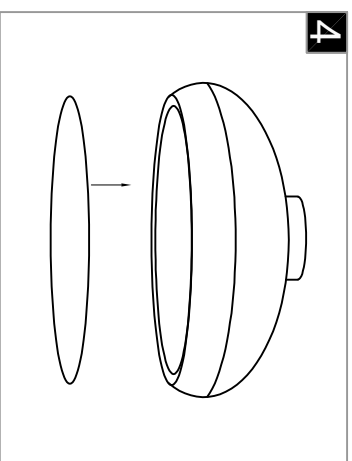
Attach the mounting plate to the ceiling.



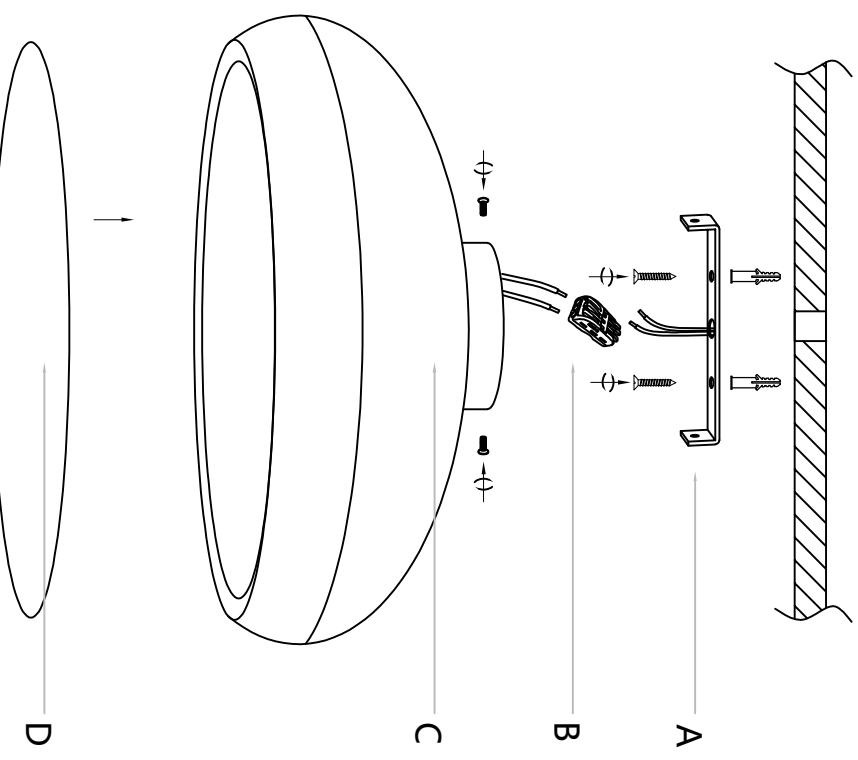
Connect the wires of the top cover to those of the ceiling using the terminal block.



Align the holes of the top cover with those of the mounting plate, and tighten the screws.



And then insert the lampshade into the disc.



First, fix the mounting plate (A) to the ceiling. Then, use the terminal blocks (B) to connect the wires of the ceiling and the wires of the cover (C). Next, align the holes on the cover (C) with those on the mounting plate (A), and tighten the screws. After that, install the bulb, and then insert the lampshade (D) into the lamp body (C).