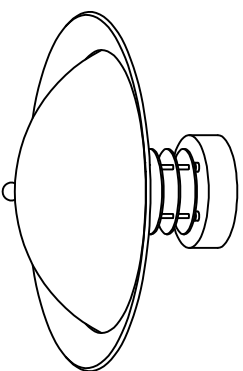


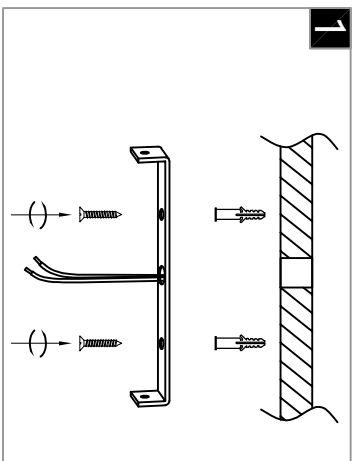
**Warning:**

This product must be installed by personnel who are familiar with its structure and related hazards, in accordance with the installation specifications. This product is suitable for indoor installation.

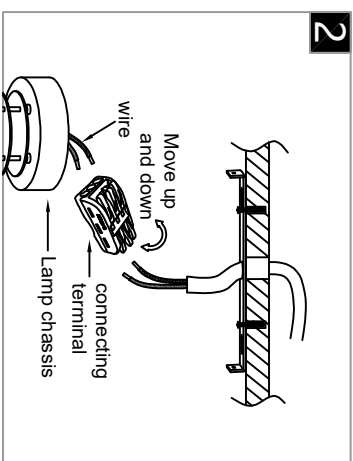


Product style diagram

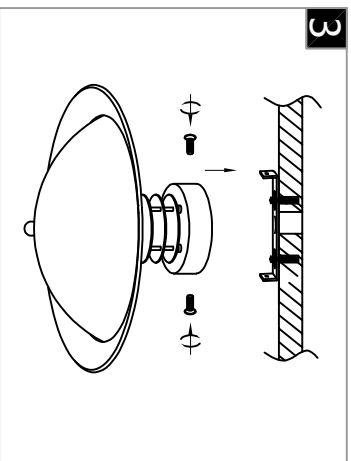
**Steps of installation**



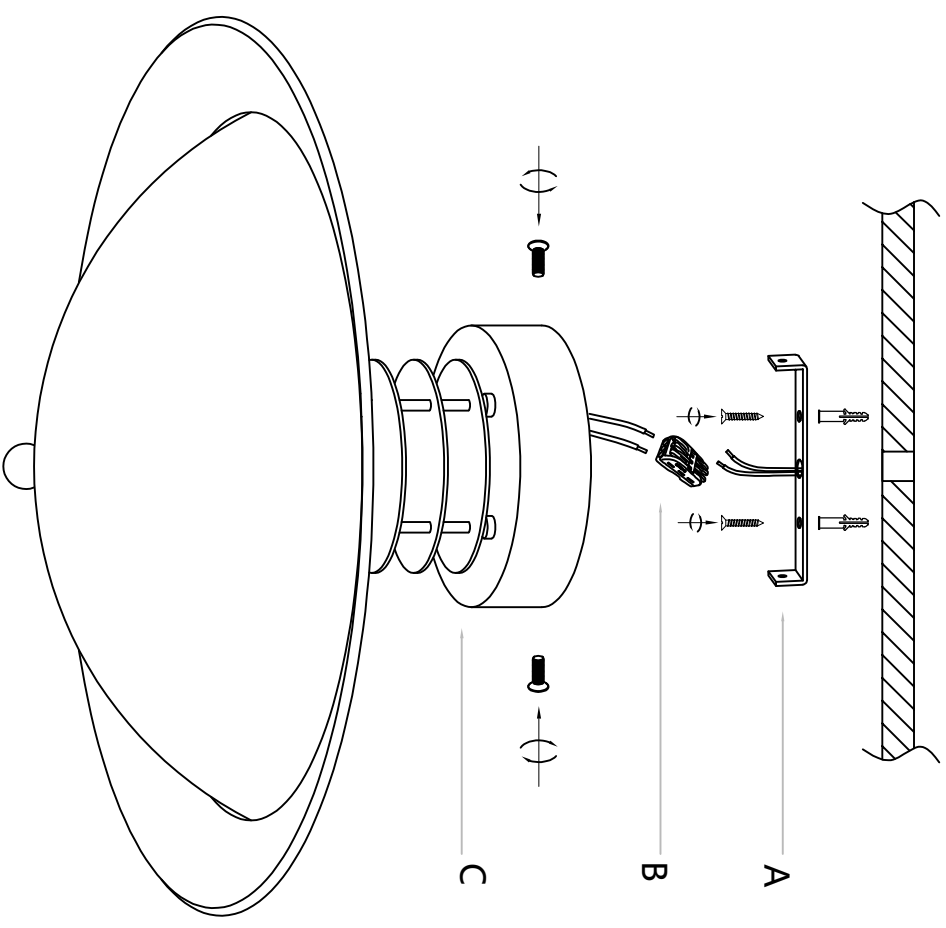
Attach the mounting plate to the ceiling.



Connect the wires of the top cover to those of the ceiling using the terminal block.



Align the holes of the top cover with those of the mounting plate, and tighten the screws.



First, fix the fixed plate (A) to the ceiling. Then, use the terminal connectors (B) to connect the wires of the ceiling to the wires of the lampshade (C). Next, align the holes on the lampshade (C) with those on the fixed plate (A), and tighten the screws.