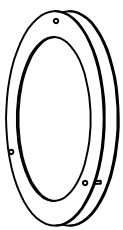
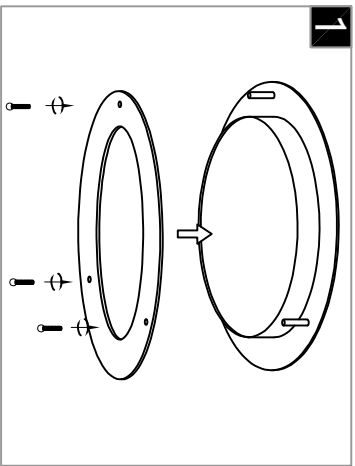


Warning:
This product must be installed by personnel who are familiar with its structure and related hazards. In accordance with the installation specifications. This product is suitable for indoor installation.

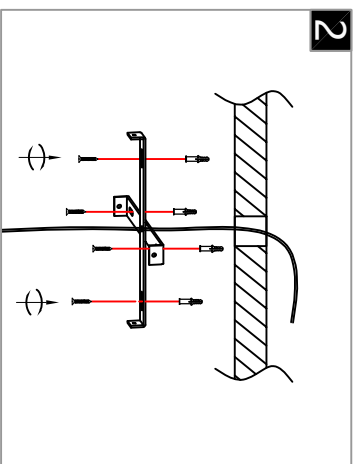


Product style diagram

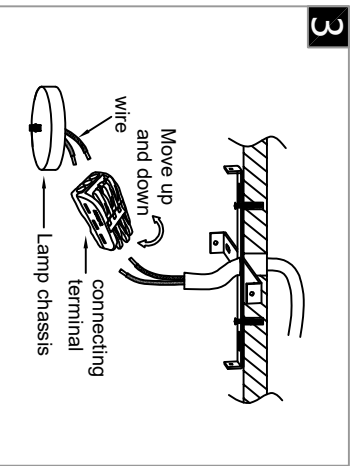
Steps of installation



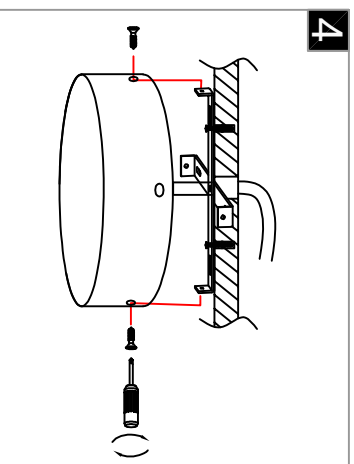
First, attach the glass sheet to the lamp using screws.



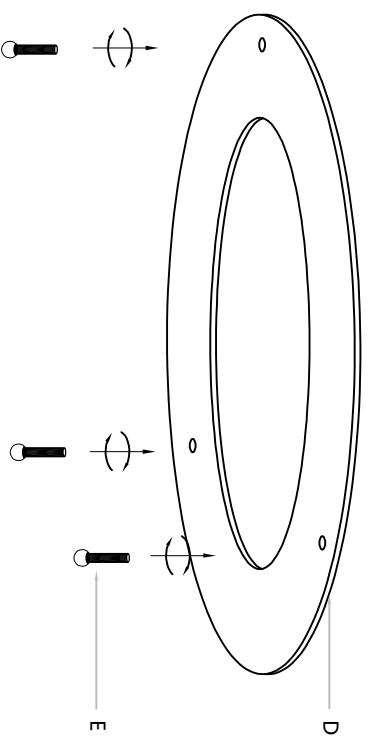
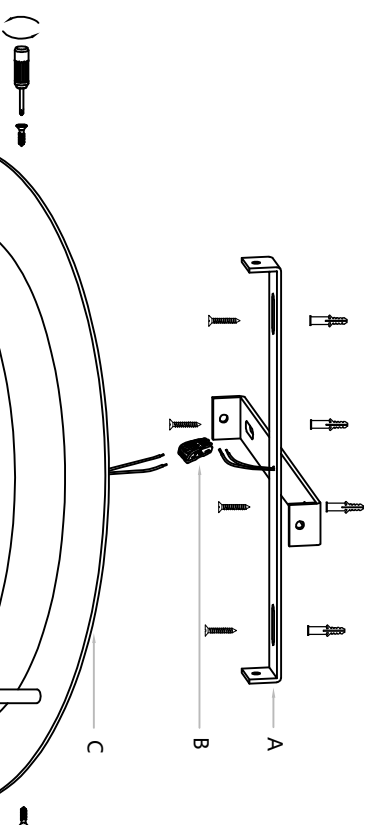
Attach the mounting plate to the ceiling with self-tapping screws.



Connect the wires to the terminal blocks. Usually, the neutral wire (white) and the live wire (black).



Align the hole on the side of the integral lamp canopy with the hole on the mounting plate and lock it tightly with screws.



First, attach the glass sheet (D) to the lamp using screws (E). Then, fix the mounting plate (A) to the ceiling using self-tapping screws. Next, connect the reserved wires on the lamp body (C) to the reserved wires on the ceiling and the junction box (B). Finally, install the lamp body (C) onto the mounting plate (A).