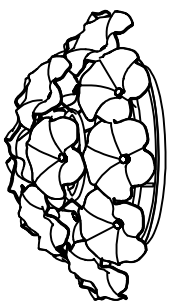


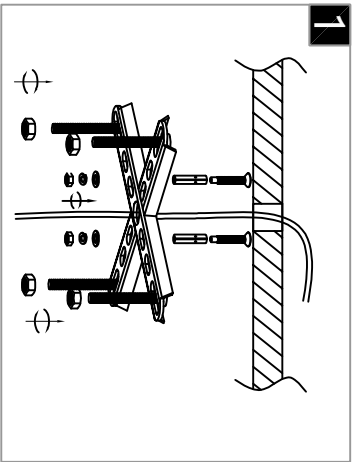
**Warning:**

This product must be installed by personnel who are familiar with its structure and related hazards, in accordance with the installation specifications. This product is suitable for indoor installation.

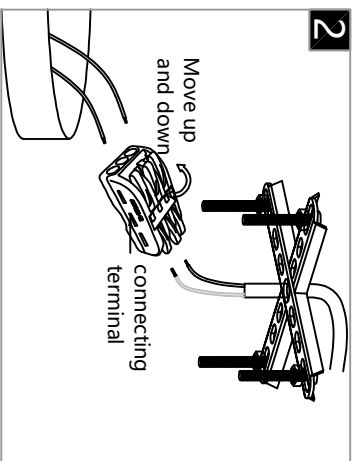


Product style diagram

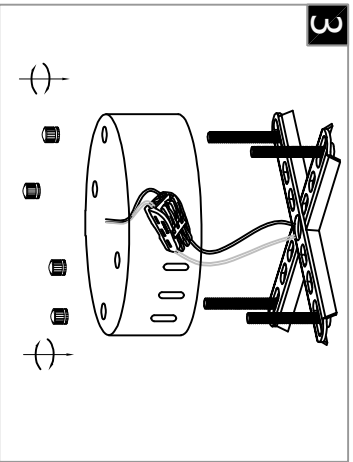
**Steps of installation**



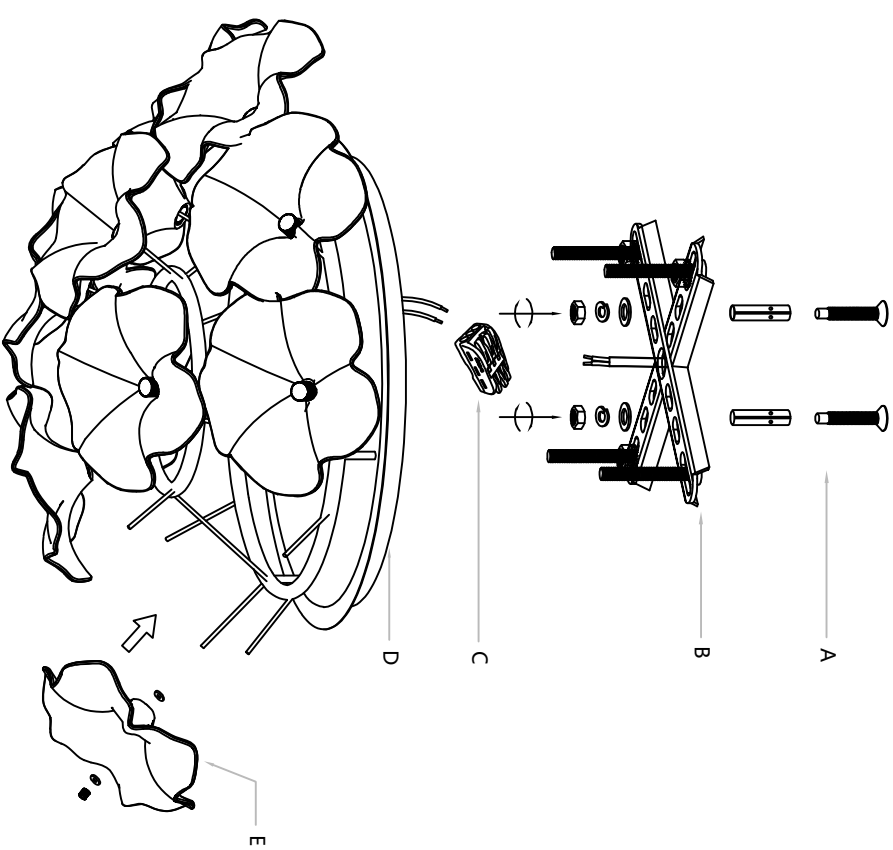
1 First, fix the expansion screws onto the ceiling, and then lock the mounting plate onto the screws.



2 Connect the wires inside the luminaire and ceiling to the terminal, usually neutral wire (white), hot wire (black)



3 Align the top cover hole position on the luminaire with the screws on the mounting plate and then secure from the bottom using the nut.



drive the expansion screws (A) into the ceiling. Then, fix the installation plate (B) onto the screws. Then, connect the top cover (D) and the reserved wires on the ceiling to the terminal block (C). Finally, install the holes on the top cover (D) onto the screws on the installation plate (B), and then lock them with nuts. Then install the light source onto the lamp head, and finally screw the glass petals (E) onto the lamp body support.