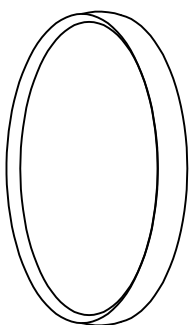
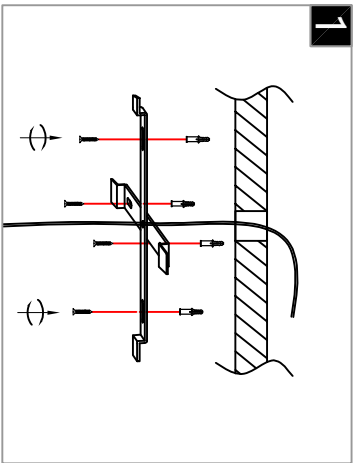


**Warning:**  
This product must be installed by personnel who are familiar with its structure and related hazards, in accordance with the installation specifications. This product is suitable for indoor installation.

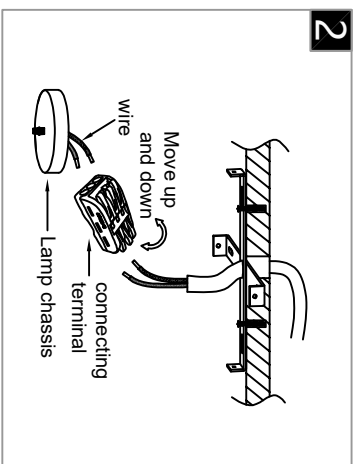


Product style diagram

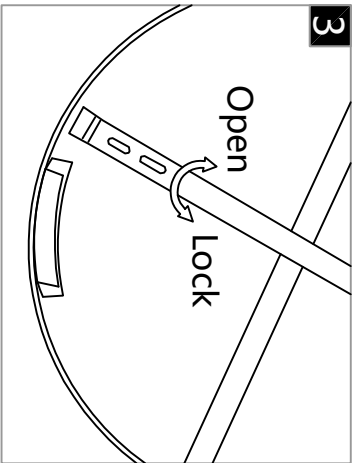
## Steps of installation



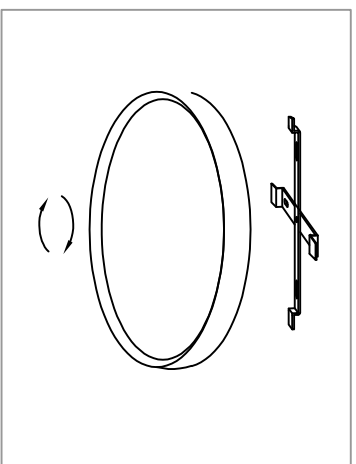
First, attach the mounting plate to the ceiling.



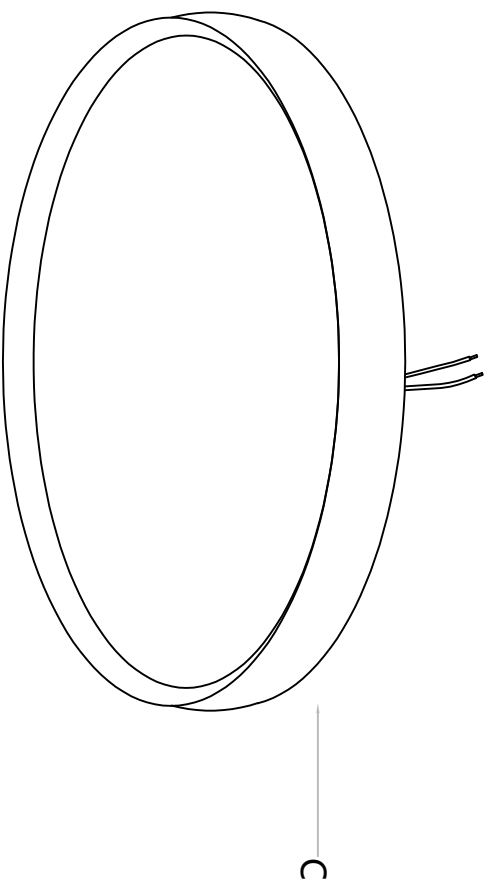
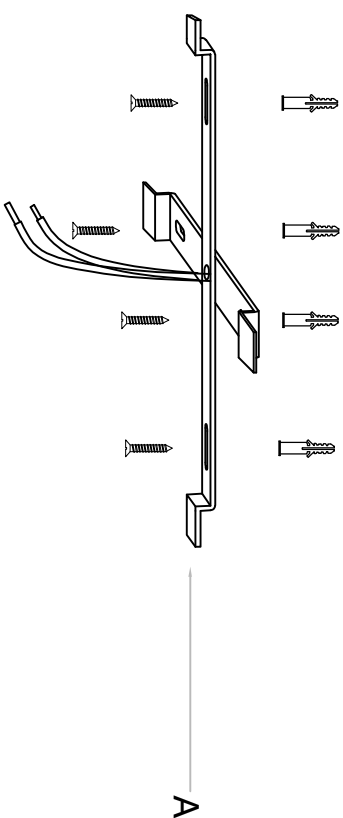
Next, connect the wires of the lamp body to those of the ceiling using the terminal block.



Then, align the opening of the latch installed on the lamp body with the installation plate, and rotate it counterclockwise to lock it in place.



and rotate it counterclockwise to lock it in place.



First, attach the mounting plate (A) to the ceiling. Next, connect the wires of the lamp body (C) to those of the ceiling using the terminal block (B). Then, align the opening of the latch installed on the lamp body (C) with the installation plate (A), and rotate it counterclockwise to lock it in place.