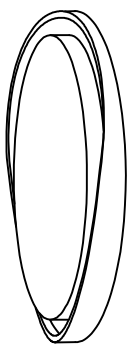
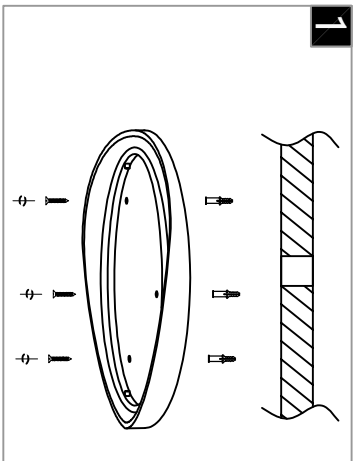


Warning:
This product must be installed by personnel who are familiar with its structure and related hazards, in accordance with the installation specifications. This product is suitable for indoor installation.

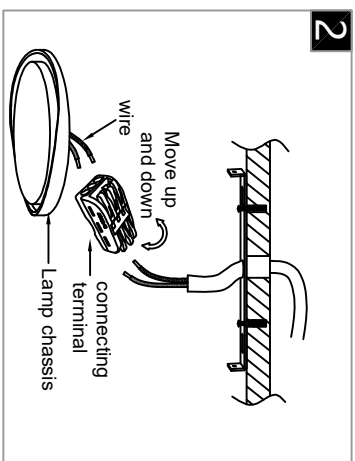


Product style diagram

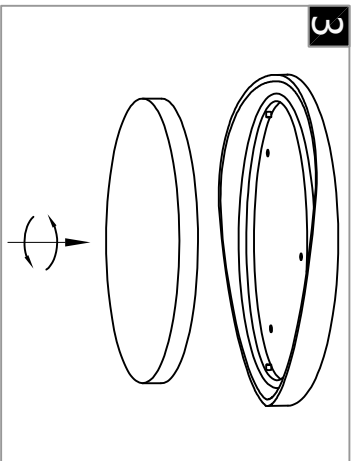
Steps of installation



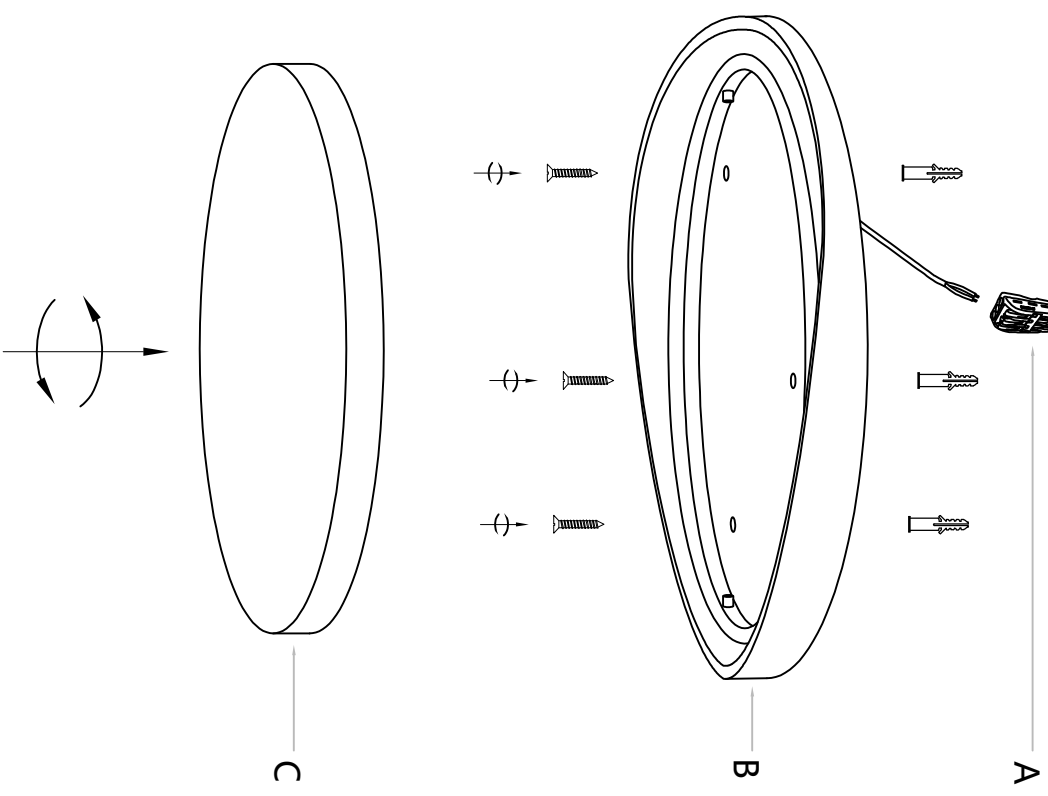
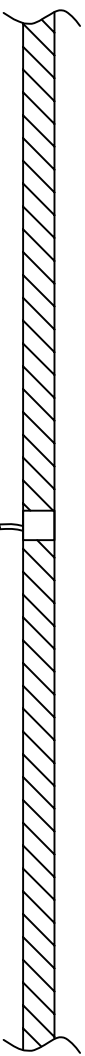
Fix the lamp body to the ceiling.



Use the terminal block to connect the wires of the lamp body to the wires on the ceiling.



Align the slot of the lampshade with the cylinder of the lamp body, and rotate and tighten it.



First, fix the lamp body (B) to the ceiling. Then, use the terminal block (A) to connect the wires of the lamp body (B) to the wires on the ceiling. Next, align the slot of the lampshade (C) with the cylinder of the lamp body (B), and rotate and tighten it.