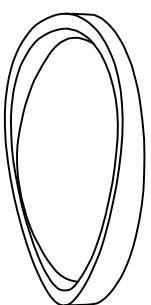


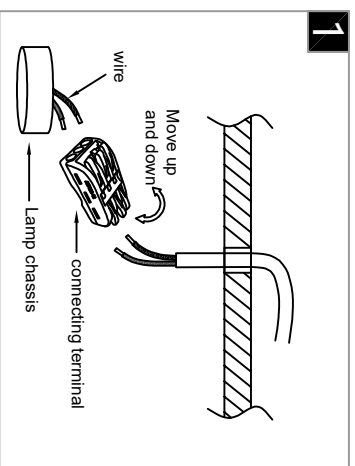
Warning:

This product must be installed by personnel who are familiar with its structure and related hazards, in accordance with the installation specifications. This product is suitable for indoor installation.

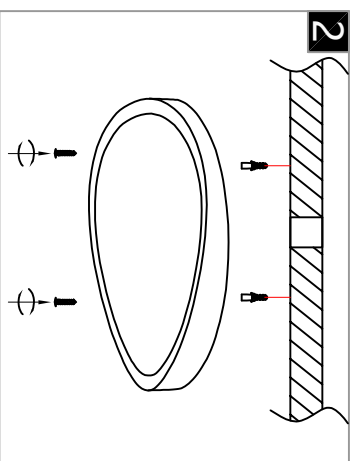


Product style diagram

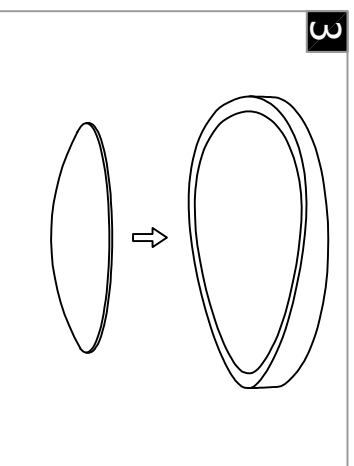
Steps of installation



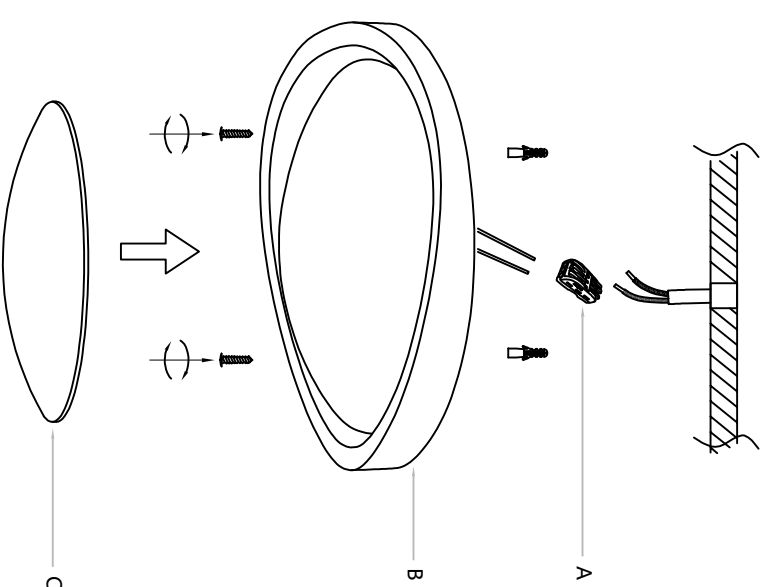
Connect the wires inside the luminaire and ceiling to the terminal, usually neutral wire (white), hot wire (black)



Fix the mounting plate to the ceiling using self-tapping screws.



Install the lamp cover onto the lamp body.



First, connect the reserved wires on the lamp body **(B)** and on the ceiling to the terminal block **(A)**. Then, fix the lamp body to the ceiling. Finally, install the lamp cover **(C)** onto the lamp body.