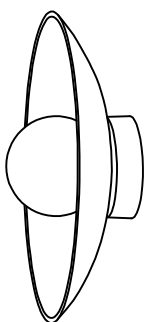
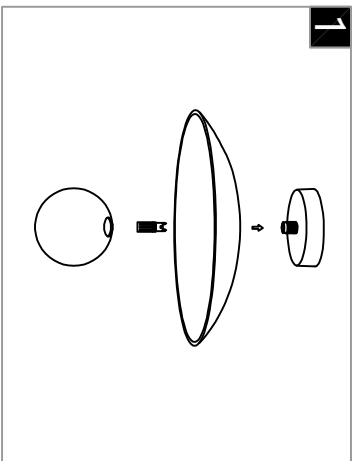


Warning:
This product must be installed by personnel who are familiar with its structure and related hazards, in accordance with the installation specifications. This product is suitable for indoor installation.

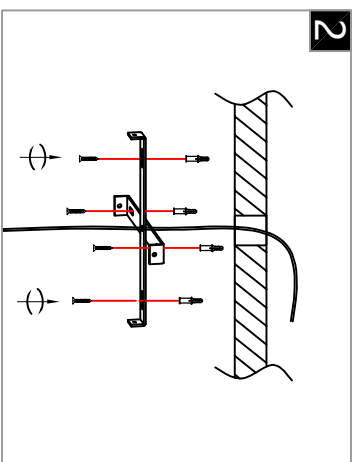


Product style diagram

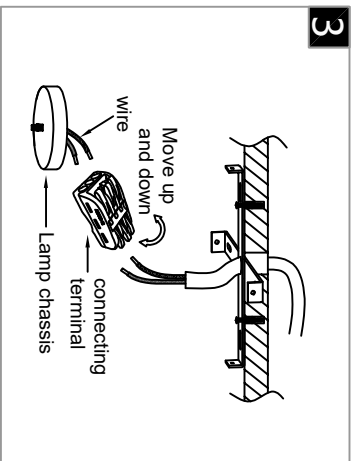
Steps of installation



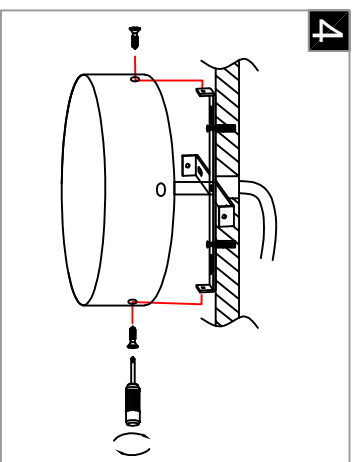
1 First, fix the lampshade onto the lamp head on the base. Then install the light source. Finally, screw the glass ball onto the lamp head.



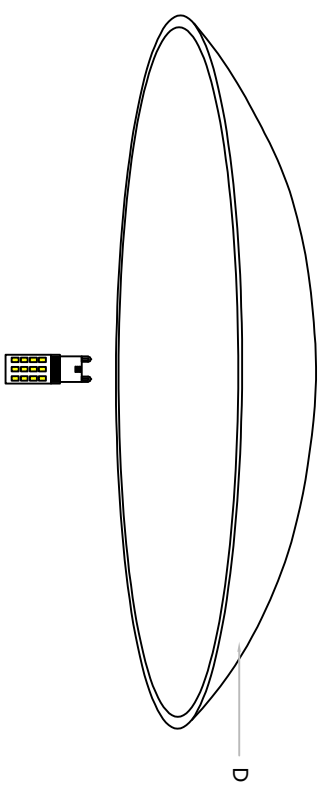
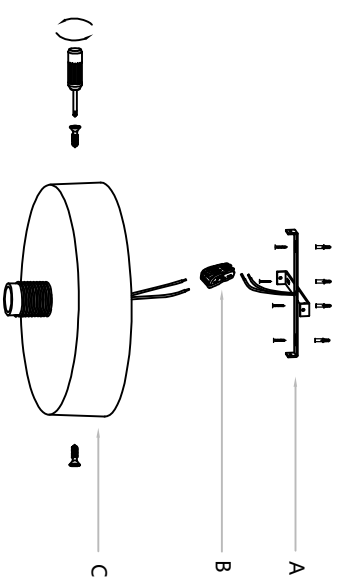
2 Attach the mounting plate to the ceiling with self-tapping screws.



3 Connect the wires to the terminal blocks. Usually, the neutral wire (white) and the live wire (black).



4 Align the hole on the side of the integral lamp canopy with the hole on the mounting plate and lock it tightly with screws.



First, fix the lampshade (D) onto the lamp head on the base (C). Then install the light source. Finally, screw the glass ball (E) onto the lamp head. Then, fix the mounting plate (A) to the ceiling using self-tapping screws. Next, connect the reserved wires on the lamp body (C) to the reserved wires on the ceiling and the junction box (B). Finally, install the lamp body (C) onto the mounting plate (A).