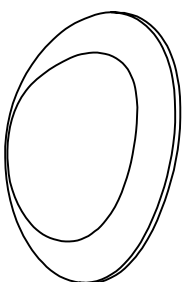


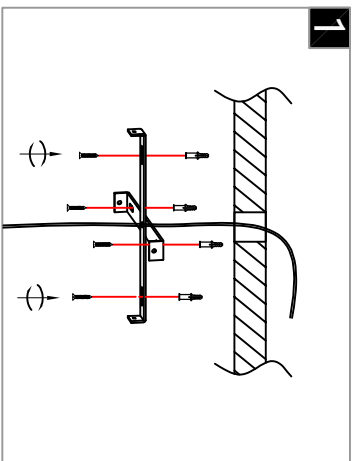
Warning:

This product must be installed by personnel who are familiar with its structure and related hazards, in accordance with the installation specifications. This product is suitable for indoor installation.

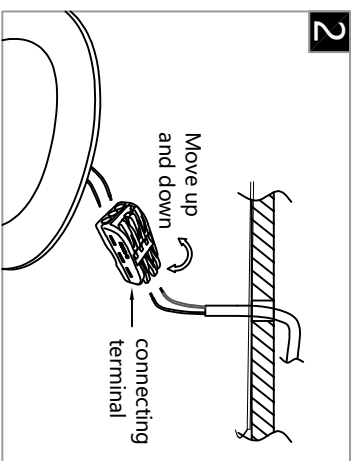


Product style diagram

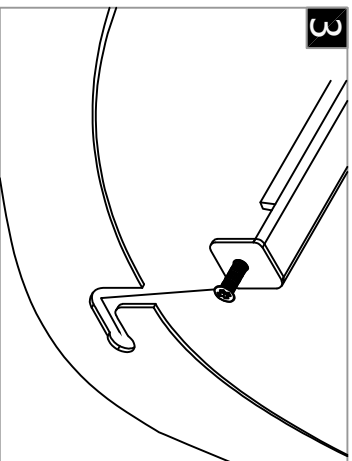
Steps of installation



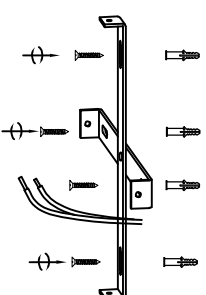
Fix the mounting plate to the wall.



Connect the wires of the lamp body to the wires on the ceiling, then connect them to the terminal block



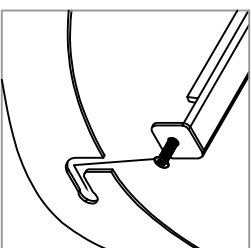
Align the slots of the lamp body with the screws of the mounting plate, rotate the lamp body, and tighten the screws.



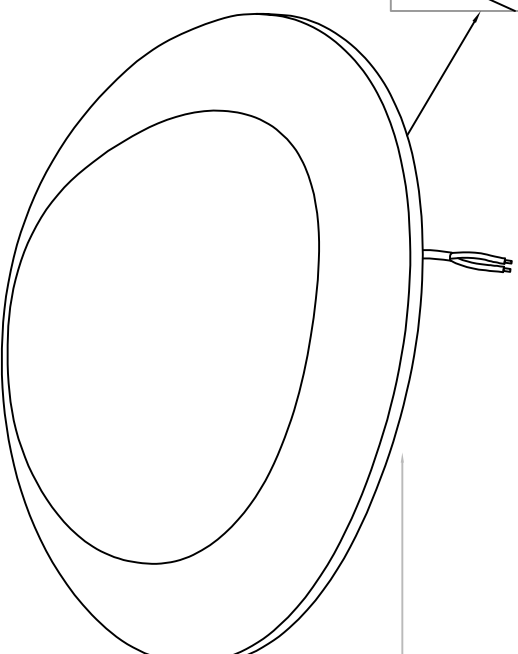
A



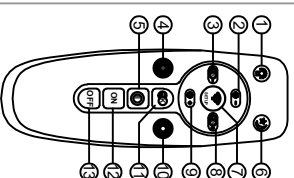
B



C



First, fix the mounting plate (A) to the ceiling. Next, use the terminal block (B) to connect the wires of the lamp body (C) to the wires of the ceiling. Then, align the slots of the lamp body (C) with the screws of the mounting plate (A), rotate the lamp body (C), and tighten the screws.



- ① Auxiliary lighting
- ② Brightness reduction button
- ③ Color temperature reduction key
- ④ Warm light button
- ⑤ Full Bright / Half Bright Button
- ⑥ Night light button
- ⑦ Matching key
- ⑧ Color temperature button
- ⑨ Brightness increase button
- ⑩ White Light Key
- ⑪ Color temperature switch key
- ⑫ Light switch
- ⑬ Light-off button