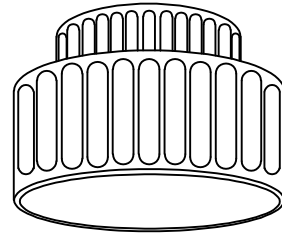
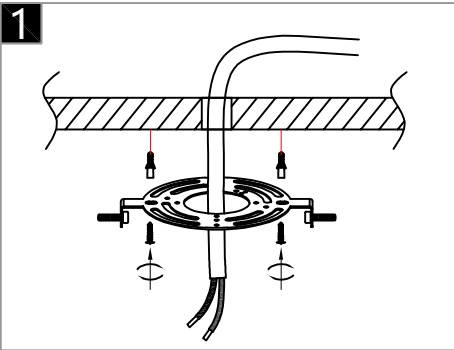


Warning:
This product must be installed by personnel who are familiar with its structure and related hazards, in accordance with the installation specifications. This product is suitable for indoor installation.

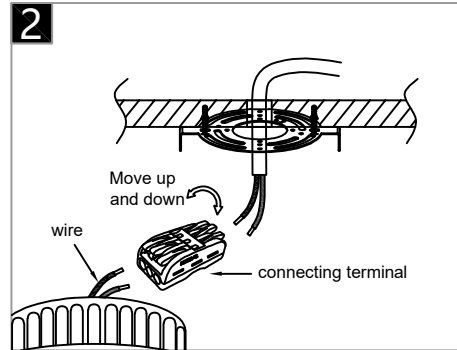


Product style diagram

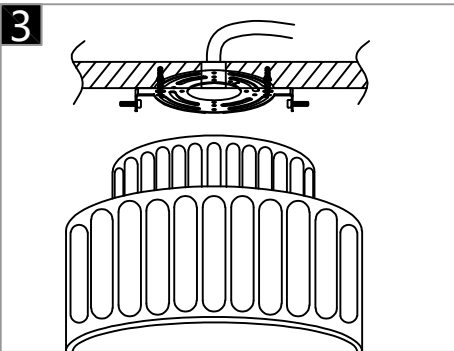
Steps of installation



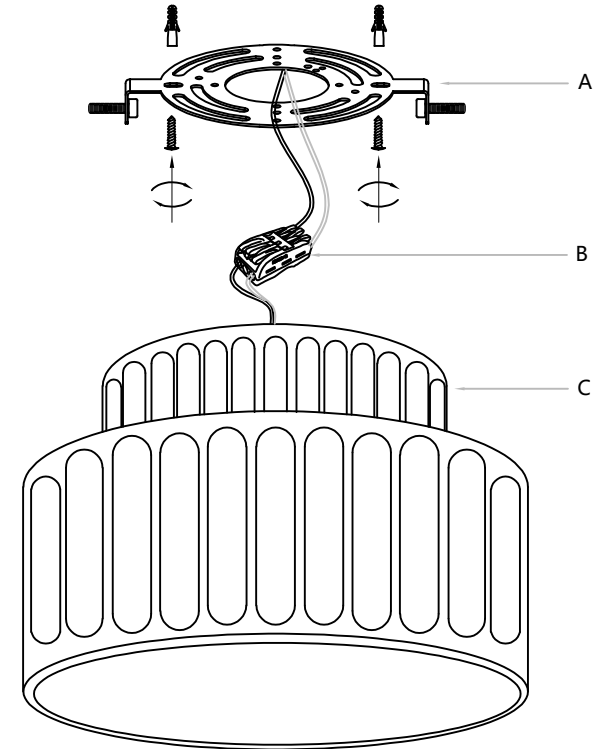
Attach the mounting plate to the ceiling with self-tapping screws.



Connect the wires inside the luminaire and ceiling to the terminal, usually neutral wire (white), hot wire (black)



Align the groove above the light fixture with the screw on the side of the mounting plate, then twist it clockwise to secure it



Attach the mounting plate (A) to the ceiling with self-tapping screws, then connect the wires inside the luminaires and the wires on the ceiling to the terminal (B), then align the groove above the luminaires (C) to the screws on the side of the mounting plate (A), then twist clockwise to secure it