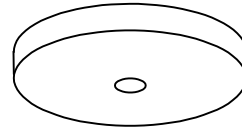
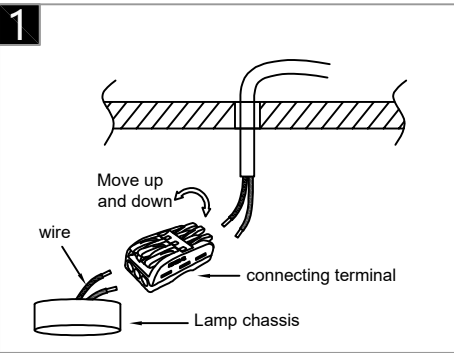


Warning:
 This product must be installed by personnel who are familiar with its structure and related hazards, in accordance with the installation specifications. This product is suitable for indoor installation.

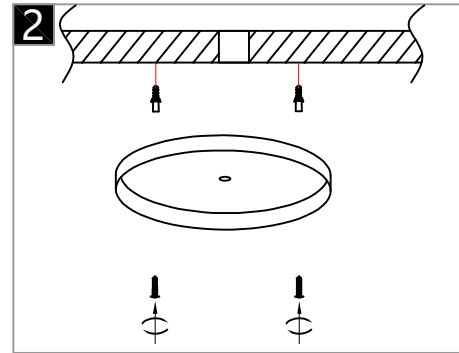


Product style diagram

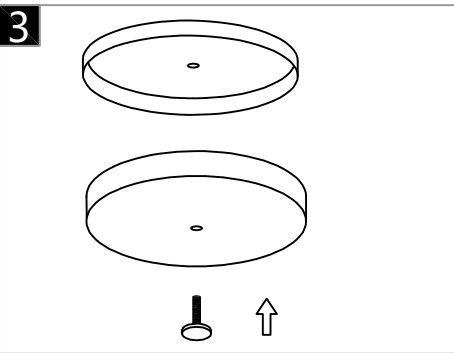
Steps of installation



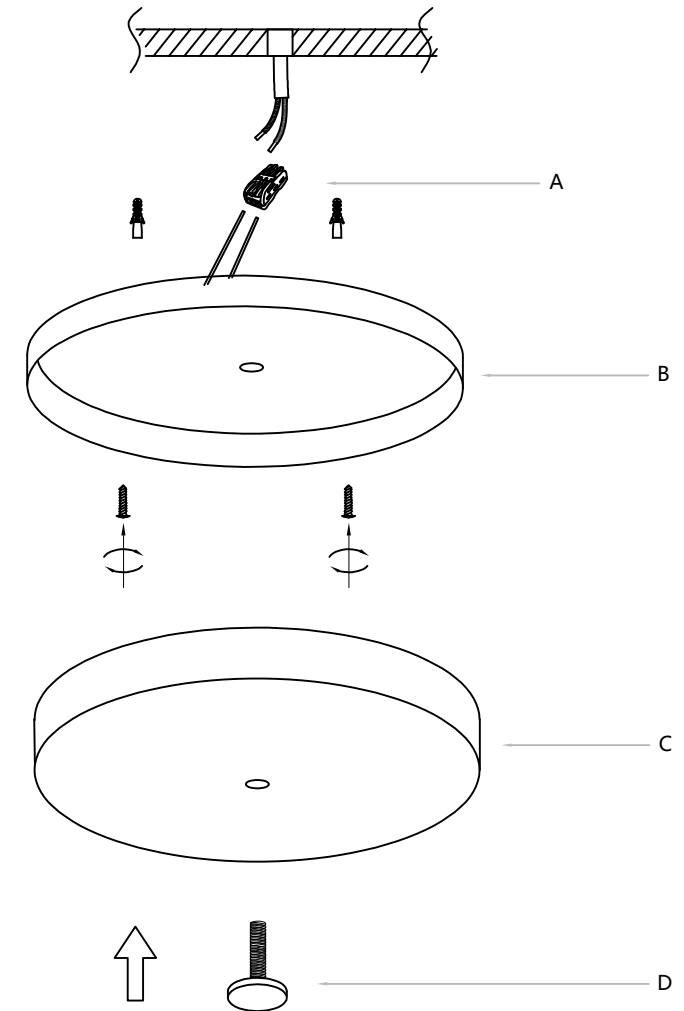
Connect the wires inside the luminaire and ceiling to the terminal, usually neutral wire (white), hot wire (black)



Fix the mounting plate to the ceiling using self-tapping screws.



The marble lampshade will be fastened to the top cover using screws.



First, connect the reserved wires on the lamp body (B) to the wires on the ceiling and then to the terminal block (A). Next, fix the lamp body cover (B) to the ceiling. Finally, install the marble lampshade (C) on the lamp body cover (B) using screws (D).