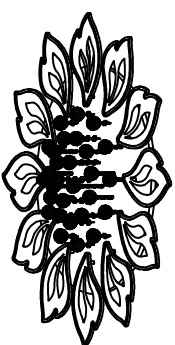


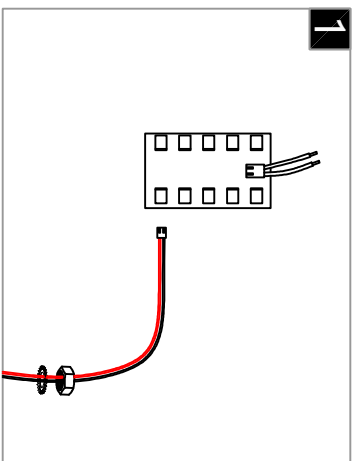
Warning:

This product must be installed by personnel who are familiar with its structure and related hazards, in accordance with the installation specifications. This product is suitable for indoor installation.

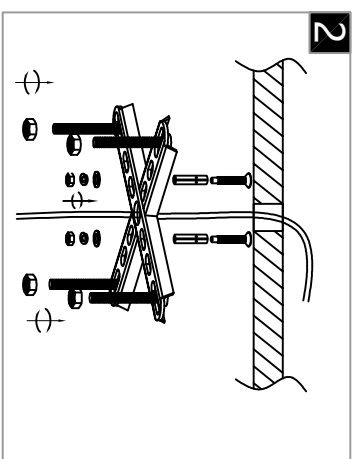


Product style diagram

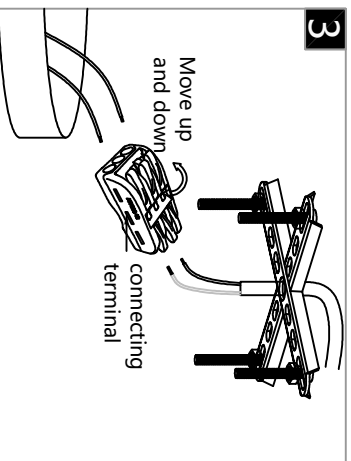
Steps of installation



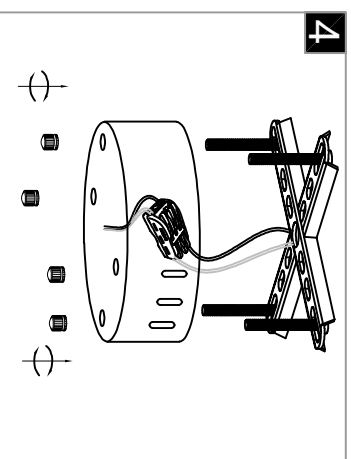
Plug the wires on the lamp board into the circuit board (plug them in randomly without distinguishing the connections)



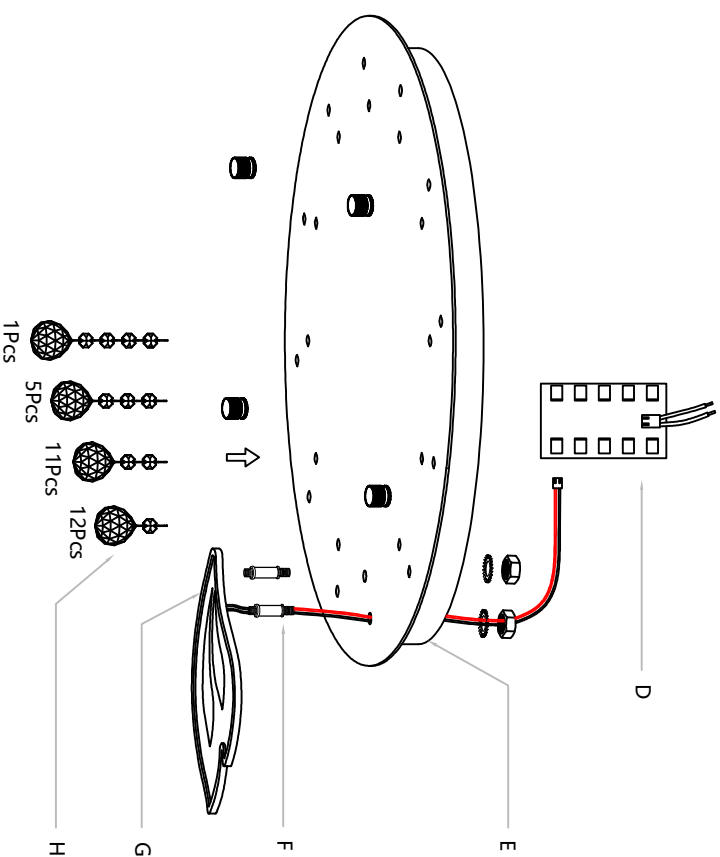
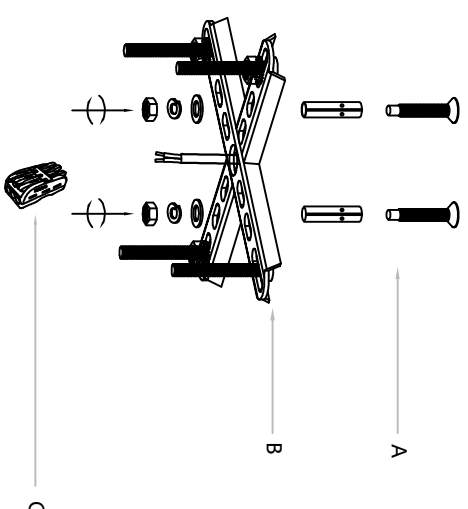
First, fix the expansion screws onto the ceiling, and then lock the mounting plate onto the screws.



Connect the wires inside the luminaire and ceiling to the terminal, usually neutral wire (white), hot wire (black)



Align the top cover hole position on the luminaire with the screws on the mounting plate and then secure from the bottom using the nut.



First, use two threaded rods (the shorter one screwed onto the lamp board) (F) to install the lamp board (G) onto the top cover (B). Then, hang the crystal balls (H) on the top cover (B) according to the quantity. Finally, insert the wires on the lamp board (G) into the circuit board (D), screw the expansion screws (A) into the ceiling. Then, fix the installation plate (B) onto the screws. Next, connect the reserved wires on the top cover (D) and the ceiling to the junction box (C). Finally, fix the holes on the top cover (D) onto the screws on the installation plate (B) and lock them with nuts.