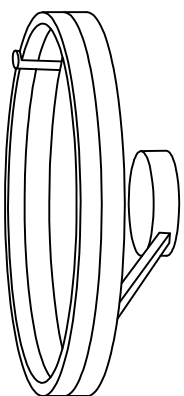


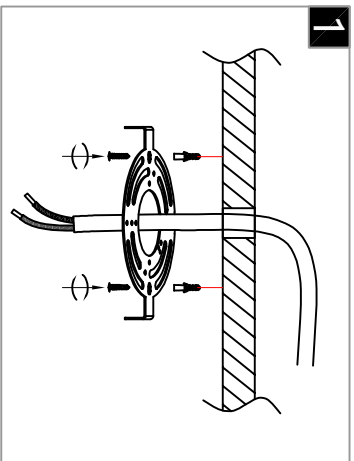
Warning:

This product must be installed by personnel who are familiar with its structure and related hazards. In accordance with the installation specifications. This product is suitable for indoor installation.

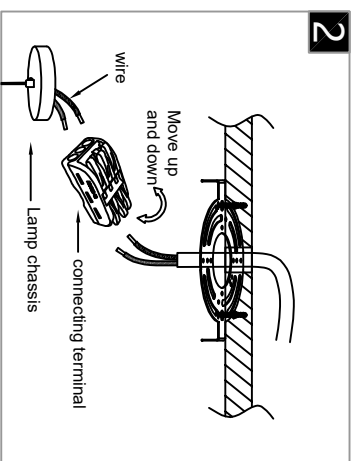


Product style diagram

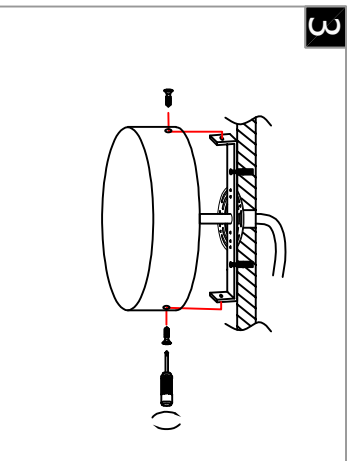
Steps of Installation



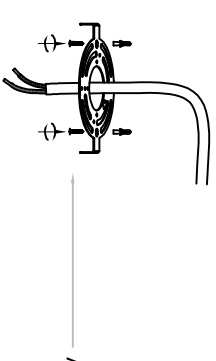
1 Fix the mounting plate to the ceiling using self-tapping screws.



2 Connect the wires inside the luminaire and ceiling to the terminal, usually neutral wire (white), hot wire (black)



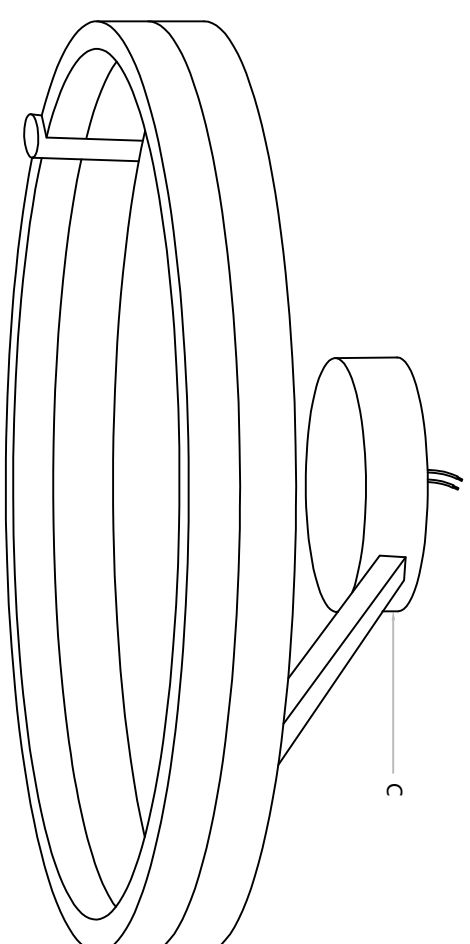
3 Align the holes on the top cover with the holes on the mounting plate, and then secure them with screws.



A



B



C

Fix the mounting plate (A) to the ceiling, then connect the wires reserved for the top cover (C) and the wires on the ceiling to the terminal (B), then align the hole position on the side of the top cover (C) with the hole position on the mounting plate (A), then tighten the screws,